



# HORTI-BLADE™

## INSTALLATION INSTRUCTIONS



THIS PRODUCT IS HIGH VOLTAGE. TAKE EXTRA CARE DURING INSTALLATION.

PLEASE ENSURE YOU HAVE READ THE FOLLOWING INSTRUCTIONS THOROUGHLY AND CAN UNDERTAKE THE REQUIRED ACTIONS BEFORE COMMENCING INSTALLATION.

IF YOU HAVE ANY QUERIES, PLEASE CONSULT OUR TECHNICAL SUPPORT DEPARTMENT BEFORE PROCEEDING.

**THIS PRODUCT SHOULD BE INSTALLED BY A CERTIFIED ELECTRICIAN AND FOLLOW LOCAL REGULATIONS.**

REVISION TABLE				
REVISION	DATE	COMMENTS	AUTHOR	APPROVED BY
A	29/09/2022	DOCUMENT CREATED	M. ASH	M. BRUMPTON
B	16/11/2022	SPECTRA NAME CHANGES	M. ASH	M. BRUMPTON
C	14/03/2023	WIRING DIAGRAM UPDATED	M. ASH	M. BRUMPTON
D	06/11/2023	HOT PLUGGING WARNING UPDATED	M. BRUMPTON	L. GIBSON

## CONTENTS

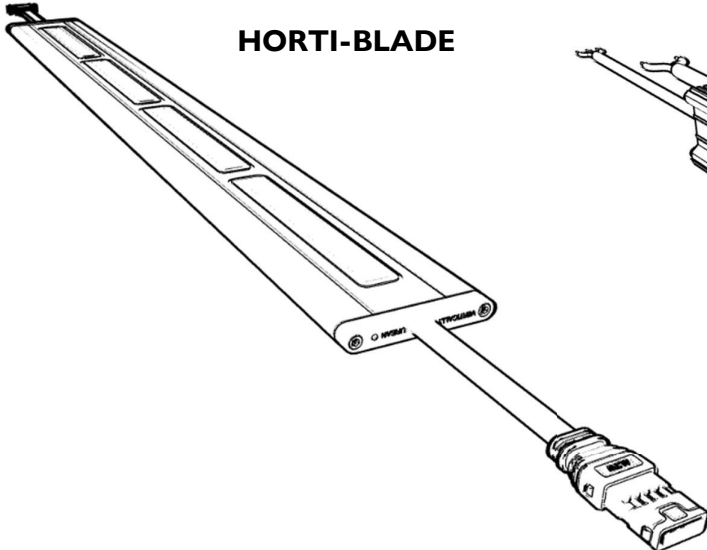
1. COMPONENTS LIST	3
2. SPECIFICATIONS	4
3. SPRING CLIPS	5
4. RECOMMENDED CONNECTION METHODS	7
4.1 STARTER CABLE TO PSU (DIRECT)	7
4.2 STARTER CABLE TO PSU (EXTENDED)	7
4.3 WIRING EXAMPLE	9
5. CAUTIONS	10
6. DISCLAIMER	10

**WARNING:**

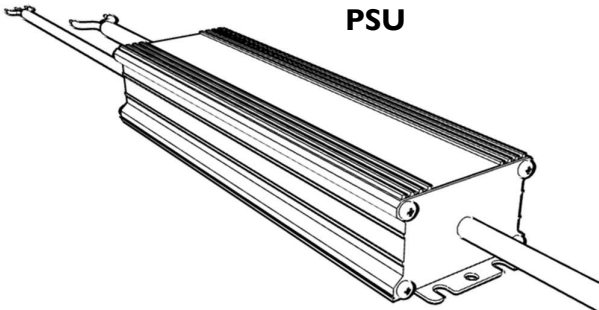
Do **NOT** hot-plug, use dimmers, or switches on the DC side. Doing so will invalidate the warranty.

Always ensure that the power source is **completely disconnected** before handling any plugs or making any connections to avoid the risk of electrical shock or damage to the equipment.

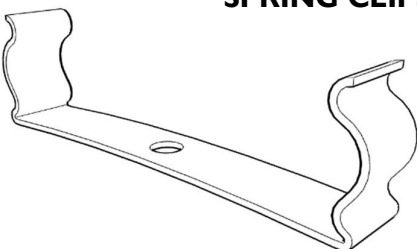
# COMPONENTS LIST



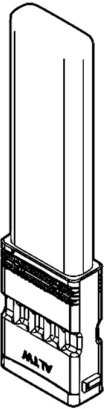
**HORTI-BLADE**



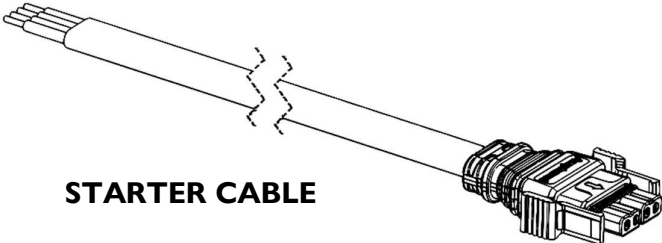
**PSU**



**SPRING CLIPS**



**TERMINATOR**



**STARTER CABLE**

# SPECIFICATIONS

## HORTI-BLADE™ S

Part No.	Spectrum	Length (mm)	Compatible Driver	Power (W)	Input Current (mA)	Units per PSU
014454	HB01	612	014319	18	950	5-11
014455		1188		36		3-5
014456		1764		54		2-3
014457		2340		72		2
014449	HB02	612	014326	18	1280	6-12
014450		1188		36		3-6
014451		1764		54		2-4
014452		2340		72		2-3
014322	HB03	612	014326	18	1280	6-12
014323		1188		36		3-6
014324		1764		54		2-4
014325		2340		72		2-3
014495	HB04	612	014643	18	1700	5-10
014496		1188		36		3-5
014497		1764		54		2-3
014498		2340		72		2

## HORTI-BLADE™ H

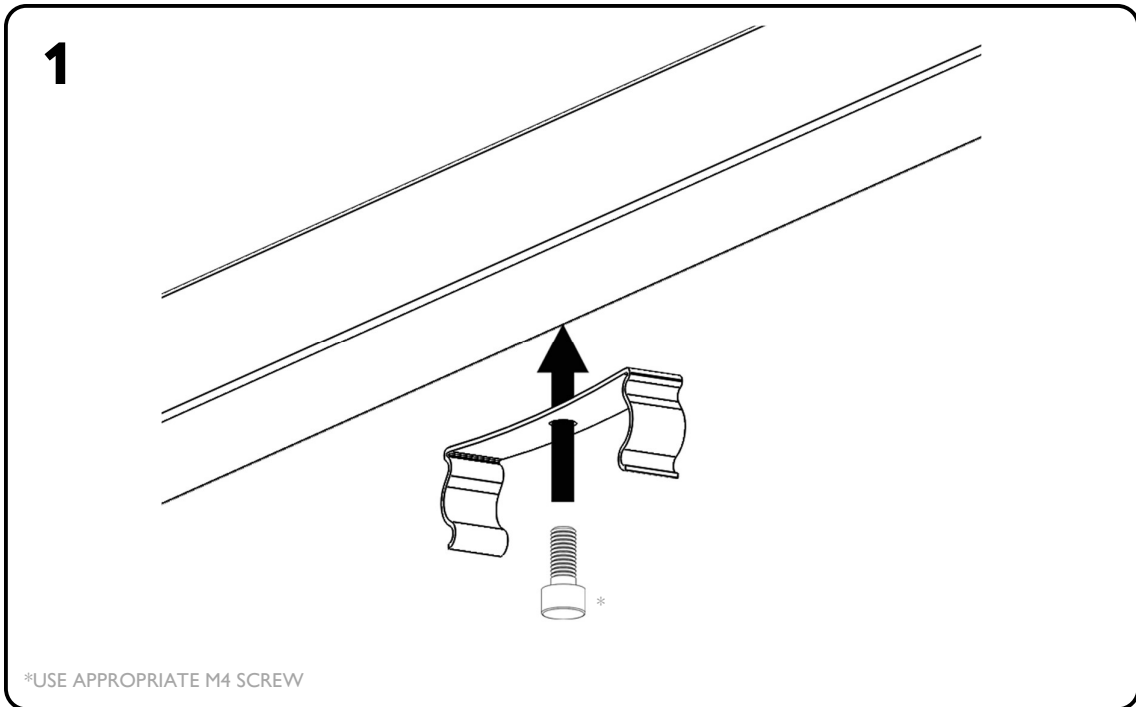
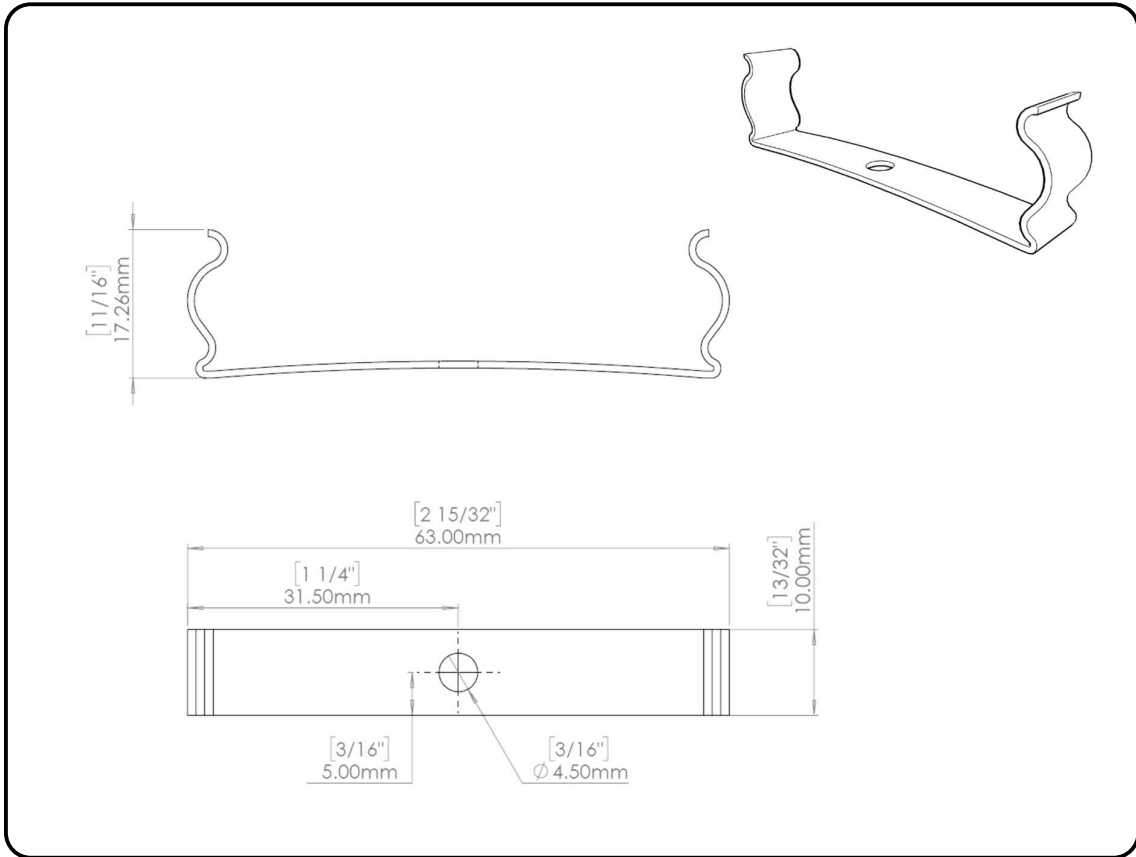
Part No.	Spectrum	Length (mm)	Compatible Driver	Power (W)	Input Current (mA)	Units per PSU
015687	HB01	612	015524	24	1150	5-10
015688		1188		48		3-5
015689		1764		72		2-3
015690		2340		96		2
015684	HB02	612	015749	24	1600	7-10
015685		1188		48		4-5
014676		1764		72		3
015686		2340		96		2
015680	HB03	612	014715	22	1500	6-10
015681		1188		44		3-5
015682		1764		66		2-3
015683		2340		88		2

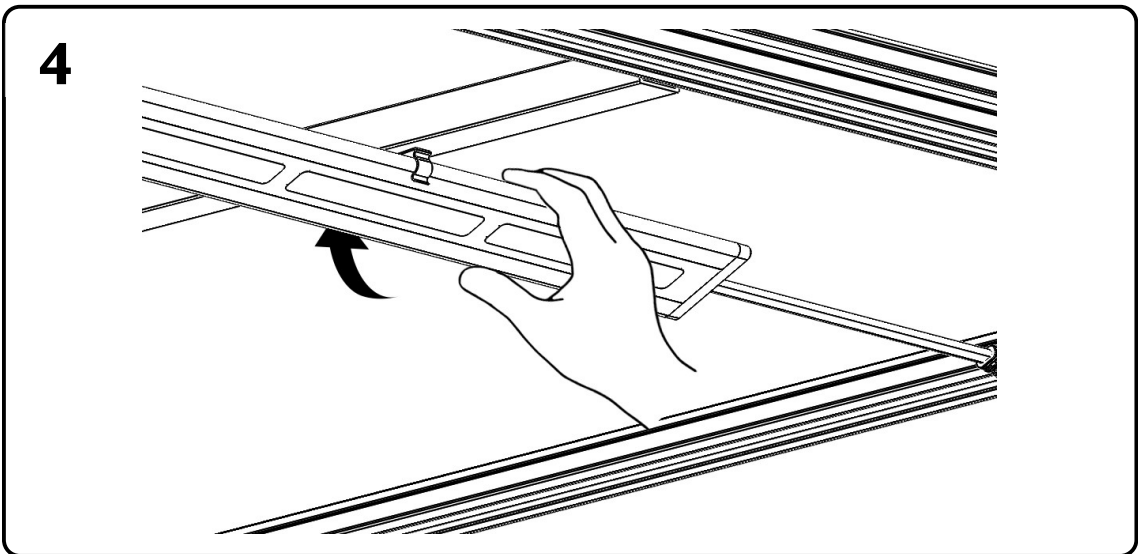
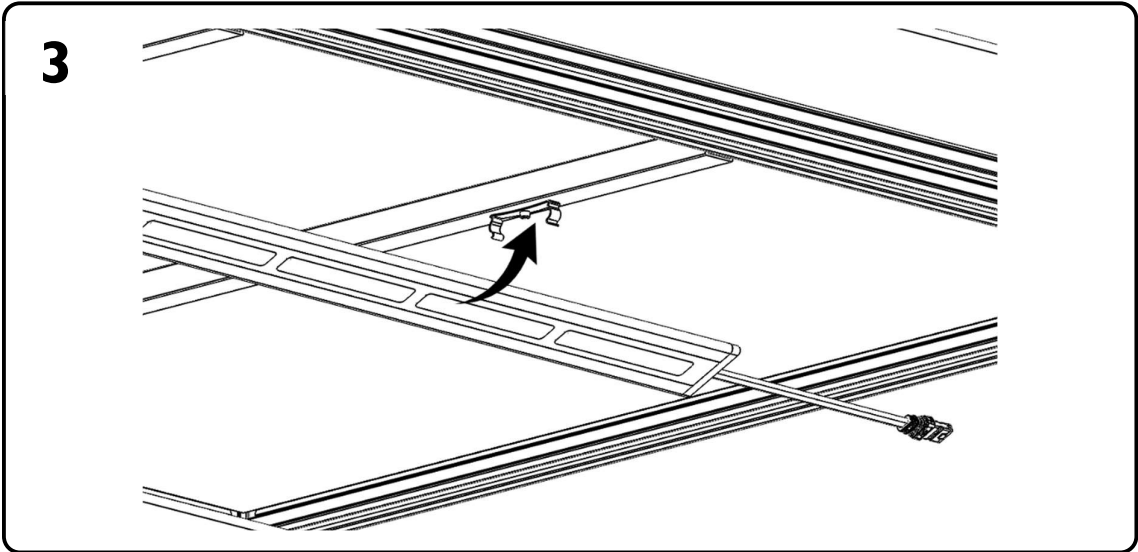
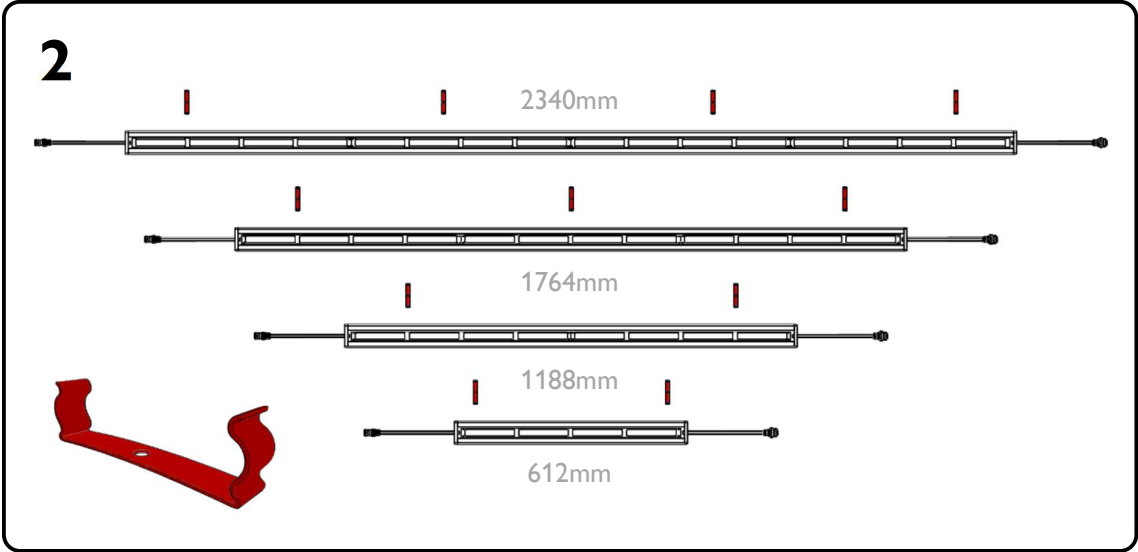
## HORTI-BLADE™ HE

Part No.	Spectrum	Length (mm)	Compatible Driver	Power (W)	Input Current (mA)	Units per PSU
017377	HB01	612	015839	29	1500	7-10
017378		1188		58		4-5
017379		1764		87		3
017380		2340		116		2

CONTACT VERTICALLY URBAN IF MIXING VARIOUS LENGTHS OF FITTINGS

# SPRING CLIPS





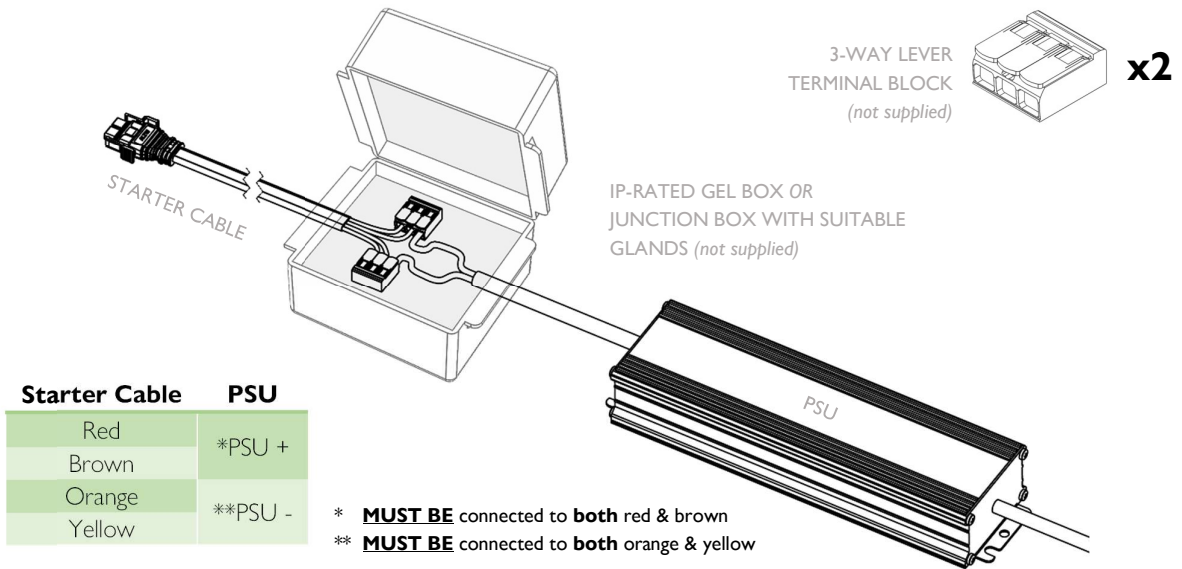
# RECOMMENDED CONNECTION METHODS

- ⚠ Do NOT reverse polarity
- ⚠ Do NOT exceed max. chain length for supplied fittings
- ⚠ Do NOT install below min. chain length for supplied fittings
- ⚠ Only use specified PSU (as shown on Page 4)



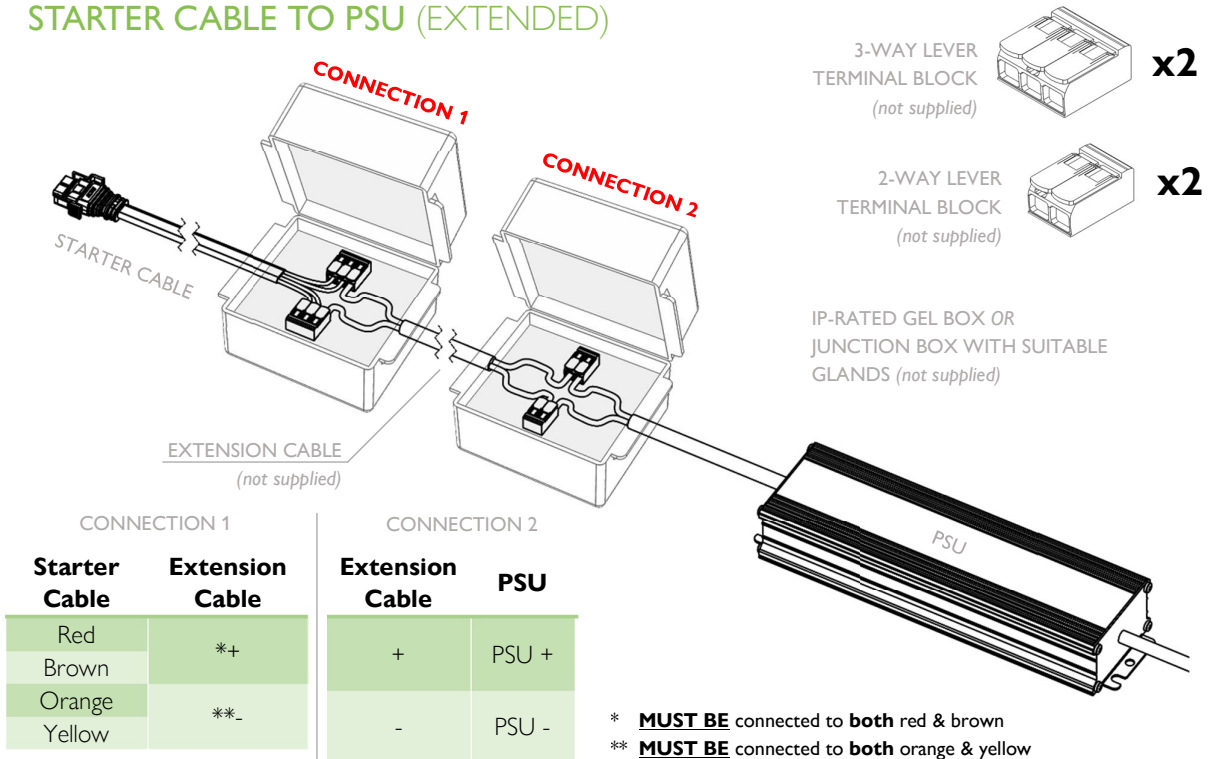
**WARNING!**  
RISK OF ELECTRICAL SHOCK.  
**DISCONNECT POWER BEFORE SERVICING OR INSTALLATION**

## STARTER CABLE TO PSU (DIRECT)



OR

## STARTER CABLE TO PSU (EXTENDED)



- ⚠ Always ensure the connection has an appropriate IP rating  
(Refer to page 7 for more information on extending cables)
- ⚠ Vertically Urban recommends starter cables are linked to extensions cables with gel boxes or junction boxes with suitable glands for both cables.
- ⚠ When extending sheathed cables, ensure that the outer sheath is encased in the gel box to retain the IP rating.
- ⚠ Extension cable CSA and length should be calculated to ensure the luminaire's voltage does not drop below that specified in the datasheet. Any difficulties or questions, please contact Vertically Urban support.
- ⚠ Use appropriate IP-rated connectors for any extensions to retain warranty.

Gel box example: <http://www.raytech.it/catalogo/en/gel-box-line.pdf>

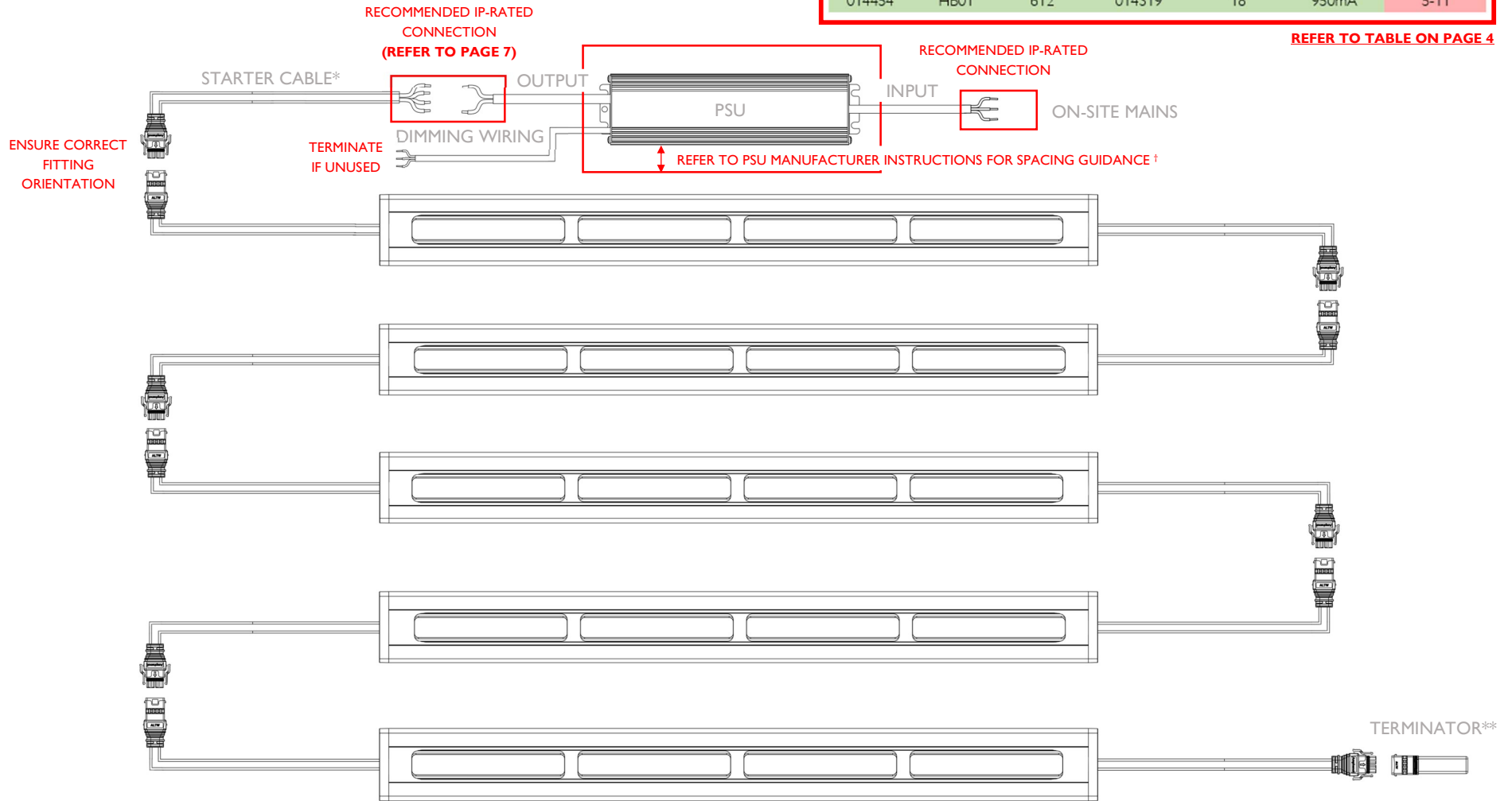


## WIRING EXAMPLE

### EXAMPLE SCHEMATIC

Part No.	Spectrum	Length (mm)	Compatible Driver	Power (W)	Input Current	Units per PSU
014454	HB01	612	014319	18	950mA	5-11

REFER TO TABLE ON PAGE 4



\* Starter cable **MUST BE** connected to the first fitting in the 'Daisy Chain' and PSU

\*\* Supplied terminator **MUST BE** inserted into the last luminaire in the 'Daisy Chain' to retain IP rating and complete the circuit

† Refer to PSU datasheet for detailed install data

△ Only use specified PSU (as shown on Page 4)

△ Do **NOT** hot-plug

△ Do **NOT** reverse polarity

△ Do **NOT** exceed the maximum chain length for supplied fittings

△ Do **NOT** install below minimum chain length for supplied fittings

△ HORTI-BLADE™ is a Class II product and as such does **NOT** require connection to Earth

## CAUTIONS

- ⚠ Please take note of luminaire and PSU ingress protection rating when deciding location.
- ⚠ Always allow sufficient slack not to overstretch the cable. Do **NOT** bend the cable beyond its specified bend radius.
- ⚠ Make sure all connections made are tight with no loose strands and with an appropriate IP rating.
- ⚠ Do **NOT** hot-plug – isolate all power before adding or removing fittings.
- ⚠ Do **NOT** reverse polarity.
- ⚠ Always allow sufficient slack on the supply cable to remove the luminaire from its position for any further maintenance.
- ⚠ Make sure cables are not in contact with any sharp objects; do **NOT** leave cables or any connectors exposed to rain/moisture for any period.
- ⚠ **WARNING:** Never attempt to hot plug the LED horticulture light or engage with any control system while power is connected. Always ensure that the power source is **completely disconnected** before handling any plugs or making any connections to avoid the risk of electrical shock or damage to the equipment.

## DISCLAIMER

- ⚠ All images are representative and may not be the actual product supplied, depending on the ordering options.
- ⚠ Avoid staring directly into light beam.
- ⚠ The product should be installed by a *certified electrician* and *follow local regulations*.
- ⚠ Take extreme care when working with mains voltages.
- ⚠ There are no user-serviceable parts inside this unit. Do **NOT** attempt any repairs yourself. Doing so voids your manufacturer's warranty.
- ⚠ During operation, the housing may become hot. Avoid touching the unit with bare hands while in use.
- ⚠ Do **NOT** allow the product to operate in ambient temperatures above the maximum ambient stated on the datasheet. Doing so will void any warranty.
- ⚠ Do **NOT** use aggressive cleaning agents. Any warranty will not cover any chemical damage to the seals.
- ⚠ Do **NOT** hot-plug the LED fittings or PSUs. Doing so will invalidate the warranty.
- ⚠ Ensure the chosen location provides adequate airflow to allow passive cooling.