



VERTICALLY
URBAN

HORTI-BLADE™ TUNABLE

INSTALLATION INSTRUCTIONS



PLEASE ENSURE YOU HAVE READ THE FOLLOWING INSTRUCTIONS THOROUGHLY AND CAN UNDERTAKE THE REQUIRED ACTIONS BEFORE COMMENCING INSTALLATION.

IF YOU HAVE ANY QUERIES, PLEASE CONSULT VERTICALLY URBAN TECHNICAL SUPPORT DEPARTMENT BEFORE PROCEEDING.

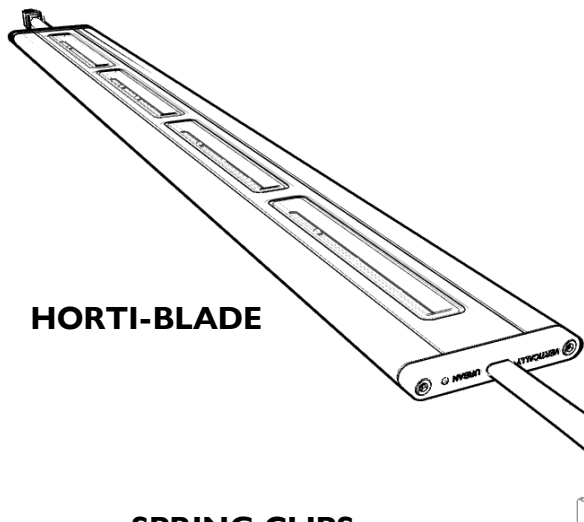
THIS PRODUCT SHOULD BE INSTALLED BY A CERTIFIED ELECTRICIAN AND FOLLOW LOCAL REGULATIONS.

REVISION TABLE				
REVISION	DATE	COMMENTS	AUTHOR	APPROVED BY
A	15/12/2022	DOCUMENT CREATED	M. ASH	M. BRUMPTON
B	02/02/2023	SPECTRA DRIVE CONNECTIONS UPDATED	M. ASH	M. BRUMPTON
C	08/02/2023	CONNECTION NOTE ADDED	M. ASH	M. BRUMPTON
D	05/09/2023	VERTICAL MOUNTING BRACKET ADDED	M. BRUMPTON	L. GIBSON
E	08/10/2023	HOT PLUGGING WARNING UPDATED	M. BRUMPTON	L.GIBSON
F	25/10/2023	AMENDED UNITS PER PSU TABLE	L. GIBSON	M. BRUMPTON
G	25/01/2024	ADDITION OF HBT02	M.BRUMPTON	L.GIBSON

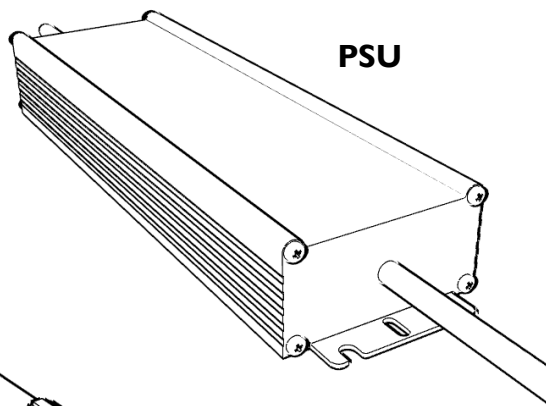
CONTENTS

1. COMPONENTS LIST	3
2. SPECIFICATIONS	4
3. SPRING CLIPS – HORIZONTAL INSTALLATION	5
4. SPRING CLIPS – VERTICAL INSTALLATION	7
5. RECOMMENDED CONNECTION METHODS	8
5.1 STARTER CABLE TO SPECTRA DRIVE (DIRECT)	8
5.2 STARTER CABLE TO EXTENSION CABLE (EXTENDED)	8
5.3 SPECTRA DRIVE TO PSU	9
5.4 SPECTRA DRIVE LOAD GUIDELINES	9
6. DMX SETUP	10
6.1 DMX CHANNEL EXAMPLE	11
7. MODBUS SETUP	12
7.1 SPECTRA DRIVE CONFIGURATION EXPLANATION	12
7.2 iOS SETUP INSTRUCTIONS	13
7.3 ANDROID SETUP INSTRUCTIONS	14
8. LINKING SPECTRA DRIVES (RJ45 CONNECTIONS)	15
9. CAUTIONS	16
10. DISCLAIMER	16

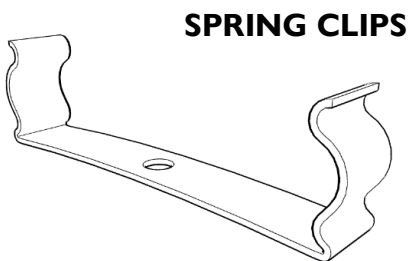
COMPONENTS LIST



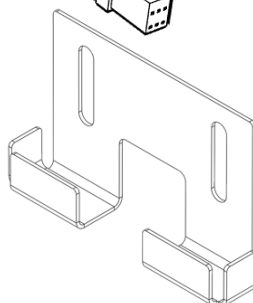
HORTI-BLADE



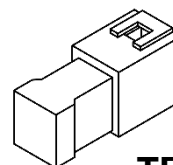
PSU



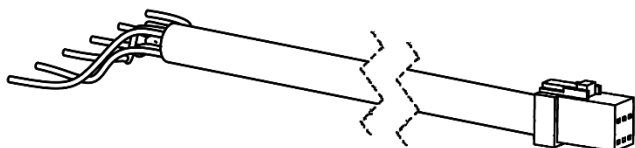
SPRING CLIPS



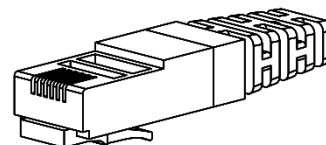
VERTICAL CLIP/SUPPORT



TERMINATOR

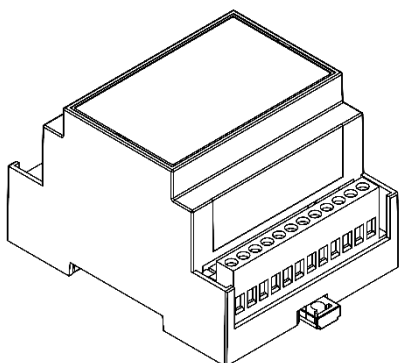


STARTER CABLE



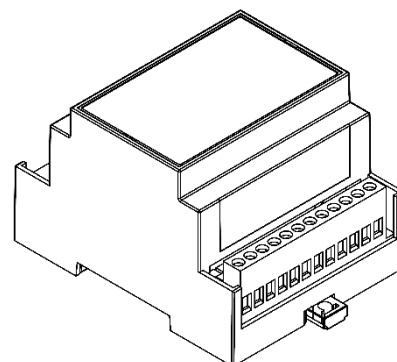
RJ45 TERMINATOR

VU-SPECTRA-DRIVE-6-MODBUS (015138)



OR

VU-SPECTRA-DRIVE-6-DMX (012252)



SPECIFICATIONS

HORTI-BLADE™ TUNABLE

Part No.	Spectrum	Length (mm)	Compatible PSU	Compatible Driver	Power (W)	Input Voltage	Units per PSU
014854	HBT01	612	013998	012252 / 015138	20	48VDC	1-9
014855		1188			40		1-4
014856		1764			60		1-3
014857		2340			80		1-2
020324	HBT02	612	013998	012252 / 015138	23	48VDC	1-8
020325		1188			46		1-4
020326		1764			69		1-2
020327		2340			92		1-2

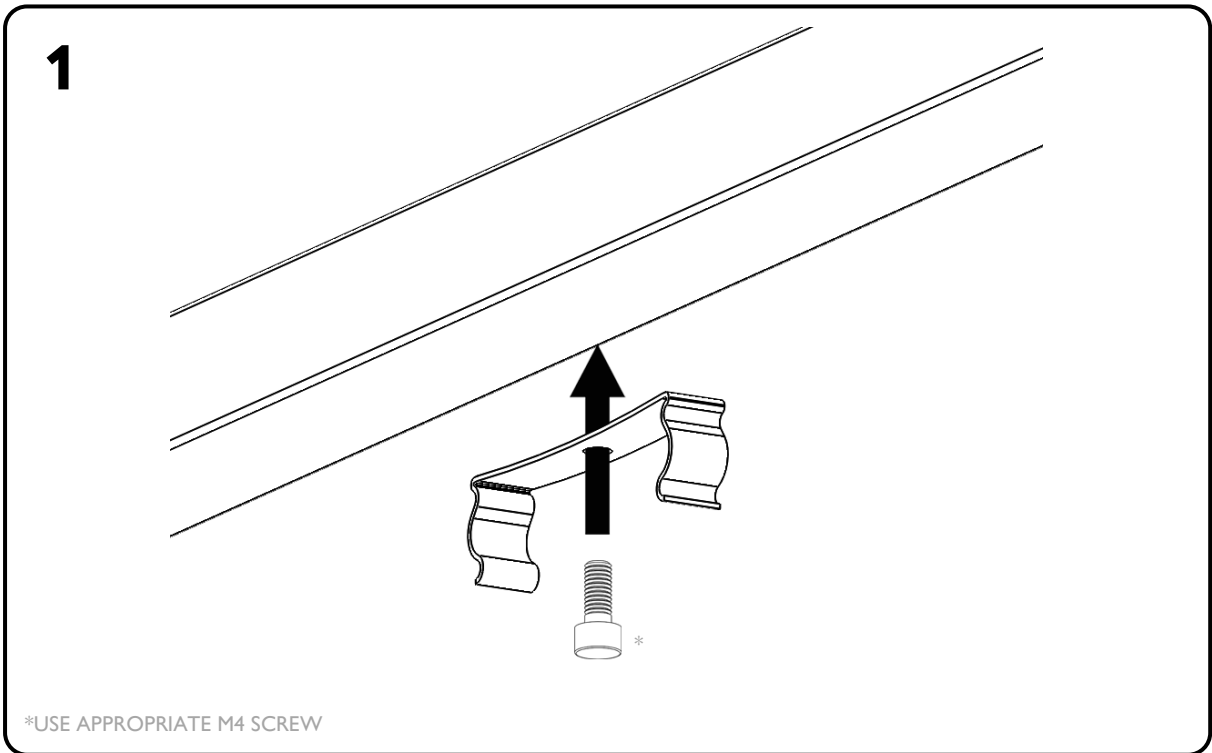
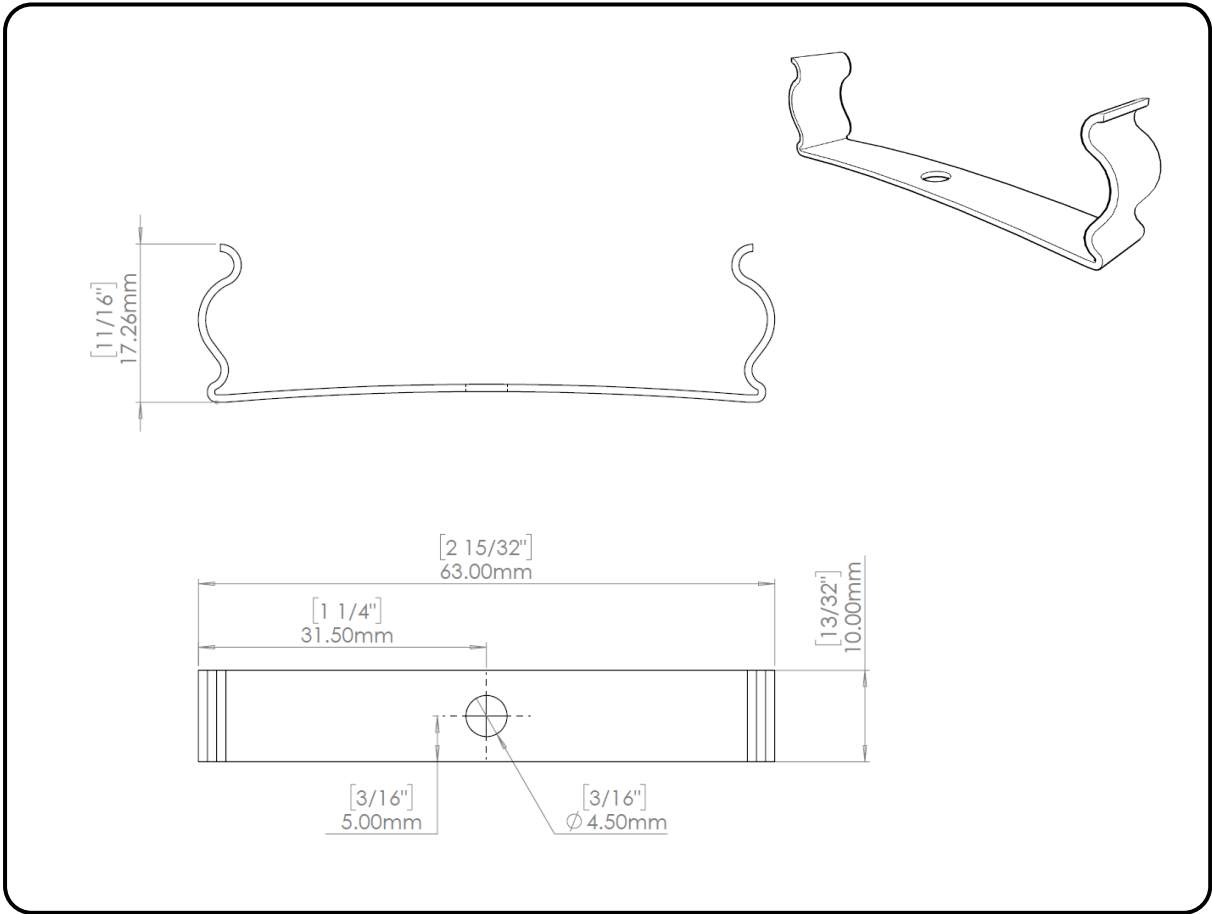
CONTACT VERTICALLY URBAN IF MIXING VARIOUS LENGTHS OF FITTINGS

WARNING:

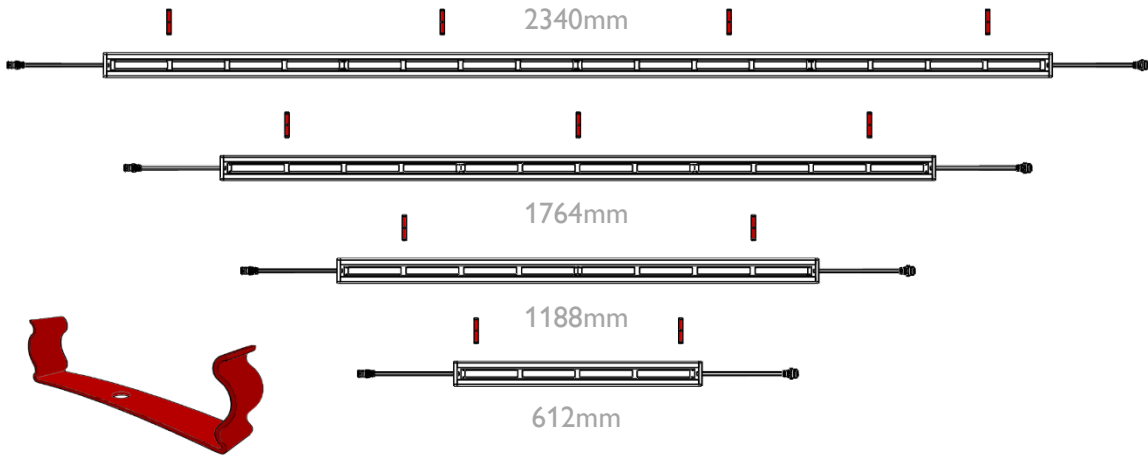
Do **NOT** hot-plug, use dimmers, or switches on the DC side. Doing so will invalidate the warranty.

Always ensure that the power source is **completely disconnected** before handling any plugs or making any connections to avoid the risk of electrical shock or damage to the equipment.

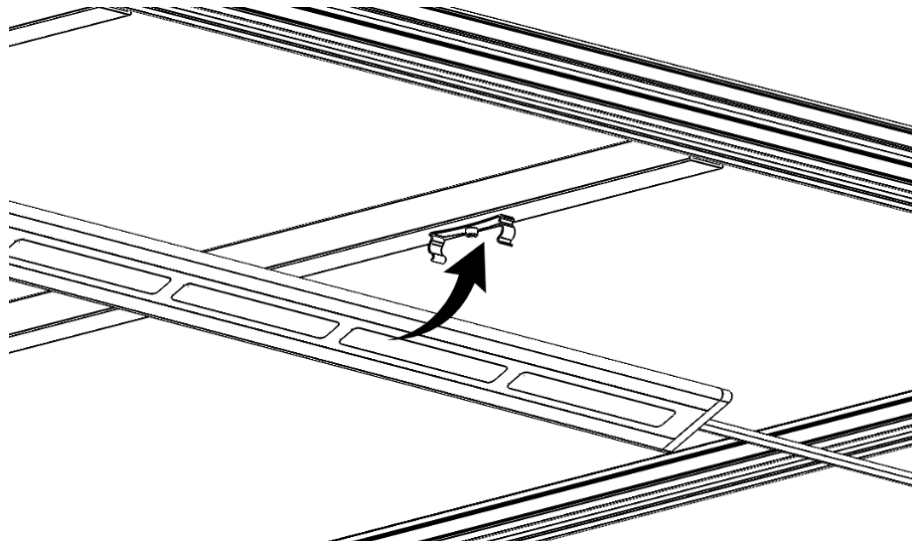
SPRING CLIPS



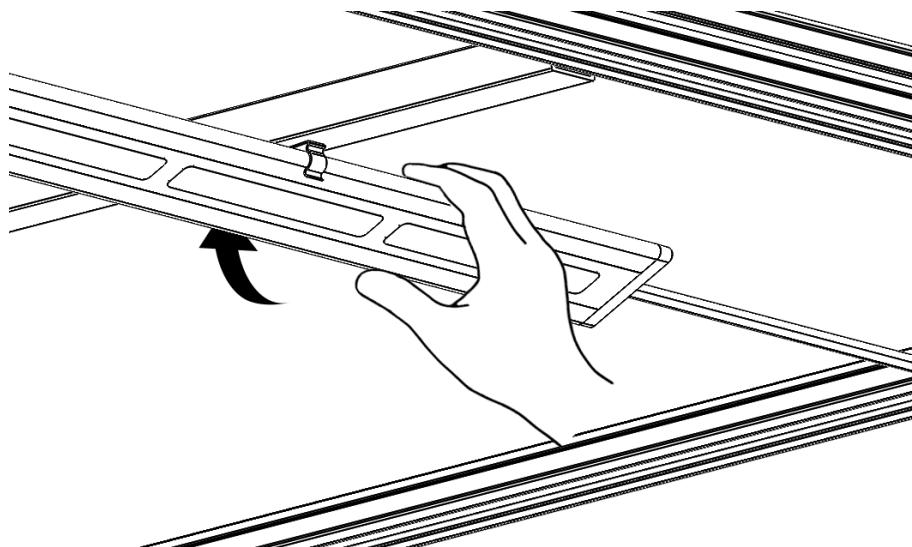
2



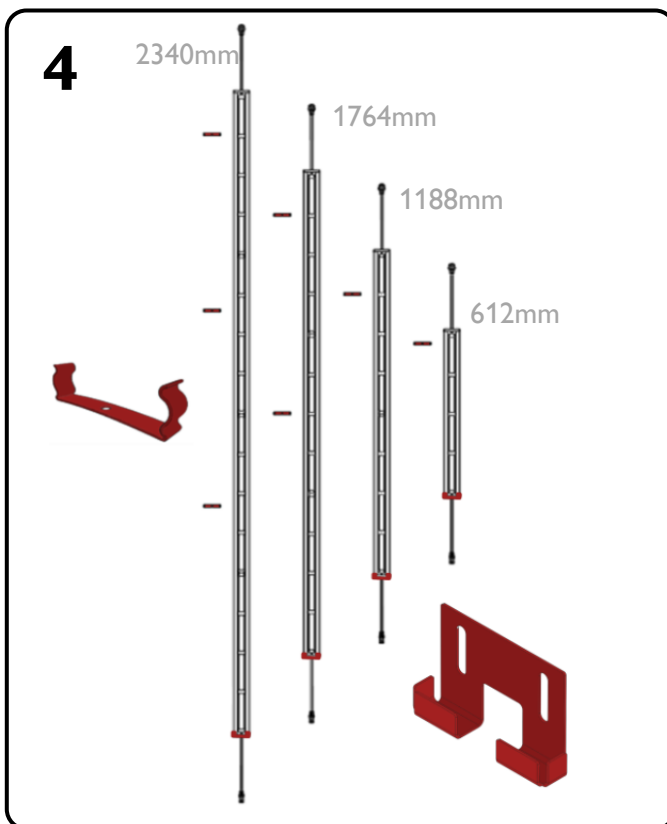
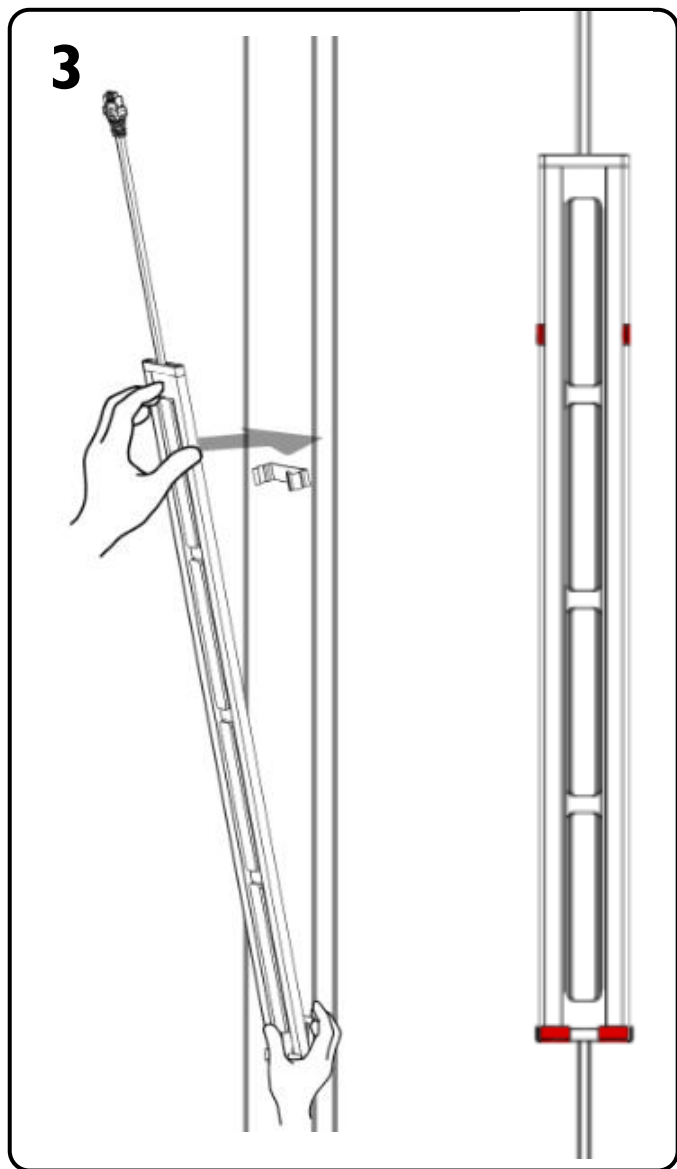
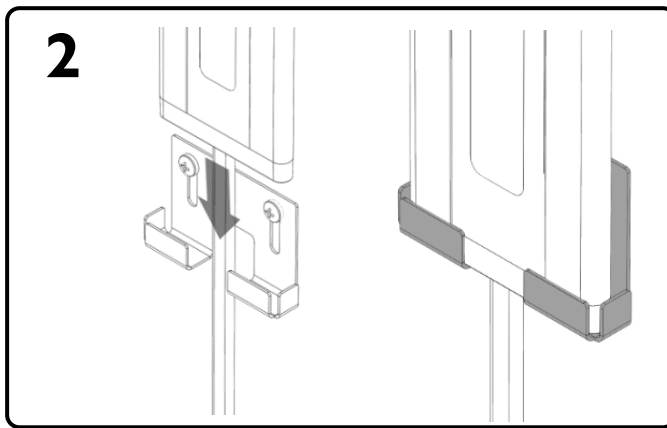
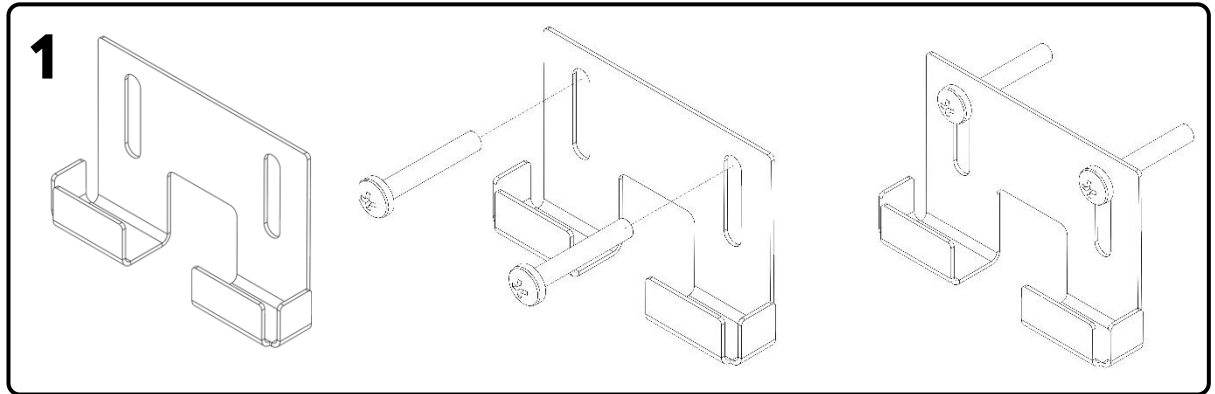
3



4



CLIPS – VERTICAL INSTALLATION



RECOMMENDED CONNECTION METHODS

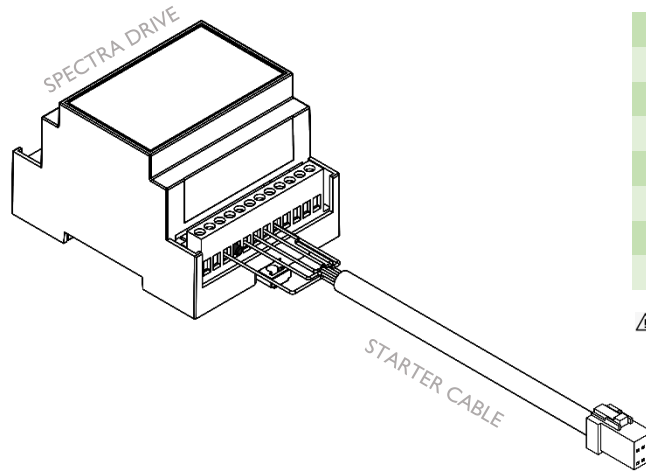
- ⚠ Do **NOT** reverse polarity
- ⚠ Do **NOT** exceed max. VU Spectra Drive chain length (31)
- ⚠ Only use specified PSU (as shown on Page 4)
- ⚠ Maximum cable length from Spectra Drive to luminaire is 20m



WARNING!
RISK OF ELECTRICAL SHOCK.
**DISCONNECT POWER BEFORE
SERVICING OR INSTALLATION**

STARTER CABLE TO SPECTRA DRIVE (DIRECT)

NOT IP RATED



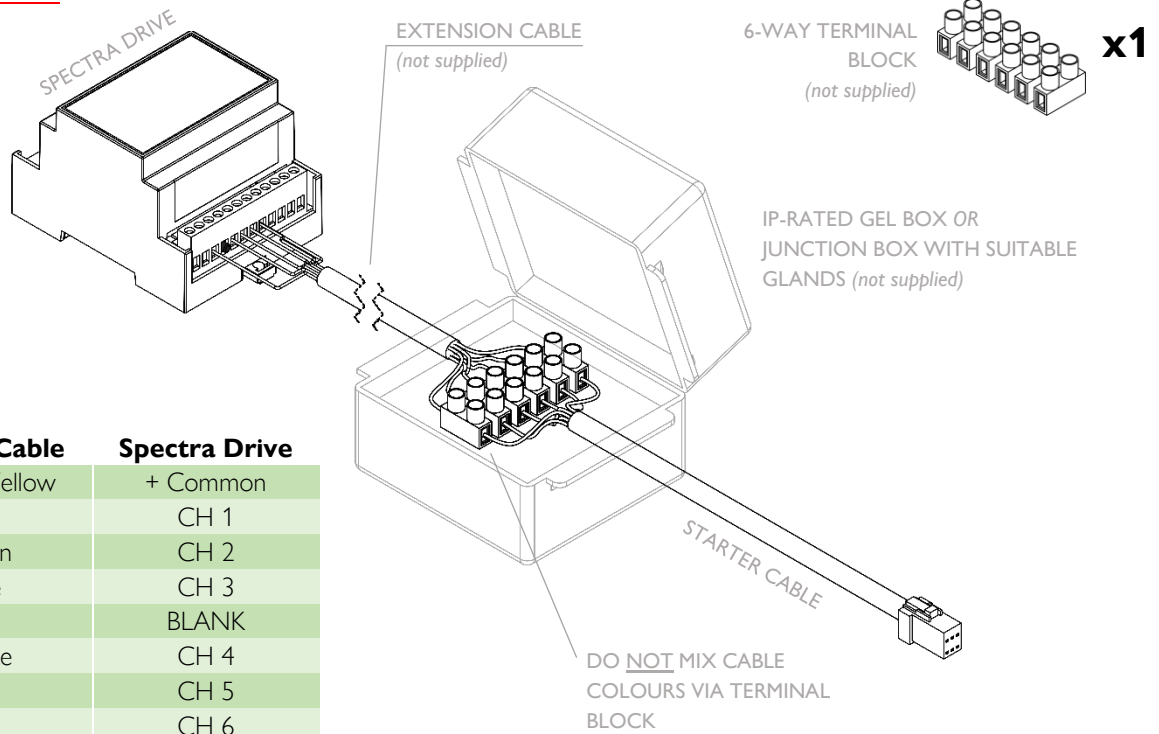
Starter Cable	Spectra Drive
Black & Yellow	+ Common
Red	CH 1
Green	CH 2
Blue	CH 3
-	BLANK
White	CH 4
-	CH 5
-	CH 6

⚠ If using external control system, please make note of table above.

OR

STARTER CABLE TO EXTENSION CABLE (EXTENDED)

NOT IP RATED



Starter Cable	Spectra Drive
Black & Yellow	+ Common
Red	CH 1
Green	CH 2
Blue	CH 3
-	BLANK
White	CH 4
-	CH 5
-	CH 6

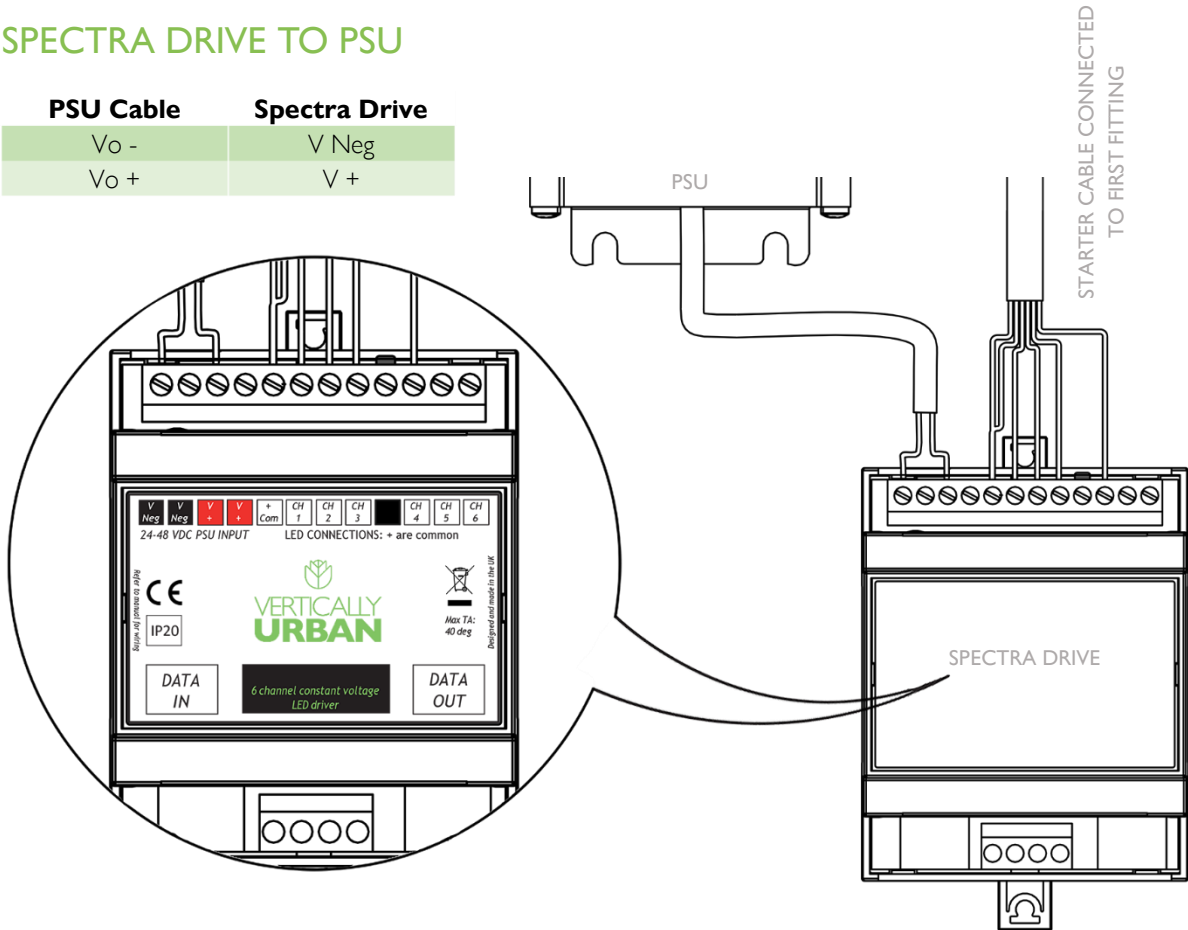
⚠ If using external control system, please make note of table above.

- △ Always ensure the connection has an appropriate IP rating for install location
(Refer to page 7 for more information on extending cables)
- △ Vertically Urban recommends starter cables are linked to extension cables with gel boxes or junction boxes with suitable glands for both cables.
- △ When extending sheathed cables, ensure that the outer sheath is encased in the gel box to retain the IP rating.
- △ Extension cable CSA and length should be calculated to ensure the luminaire's voltage does not drop below that specified in the datasheet. Any difficulties or questions, please contact Vertically Urban support.
- △ Use appropriate IP-rated connectors for any extensions to retain warranty.

Gel box example: <http://www.raytech.it/catalogo/en/gel-box-line.pdf>

SPECTRA DRIVE TO PSU

PSU Cable	Spectra Drive
Vo -	V Neg
Vo +	V +



SPECTRA DRIVE LOAD GUIDELINES

Channel 1	Channel 2	Channel 3	Channel 4	Channel 5	Channel 6	Total Current
6						6 Amps
6	6					12 Amps
4	4	4				12 Amps
3	3	3	3			12 Amps
2	2	2	2	2	2	12 Amps

- △ Do **NOT** exceed **6 Amps per channel** **OR** **total current** of **12 Amps per spectra drive**

DMX SETUP

ADDRESSING SHOULD BE DONE INDIVIDUALLY AND NOT WHEN MULTIPLE SPECTRA DRIVES ARE CONNECTED TOGETHER

1

DMX TESTING TOOL

DMX OUT TO RJ45 CABLE

VU SPECTRA DRIVE

WARNING!
DO NOT LOOK AT LIGHT

2

MODE PRESS TO OPEN MENU

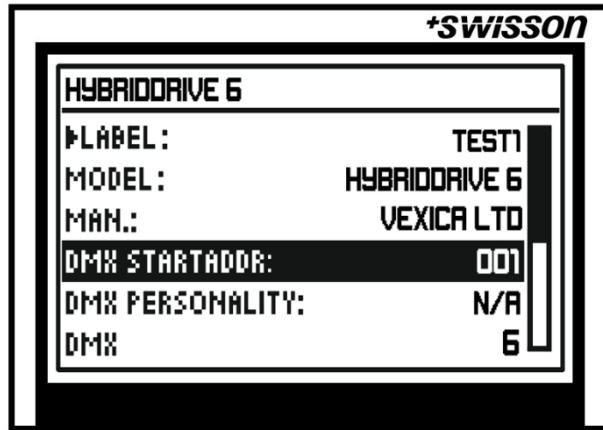
CH + PRESS TO NAVIGATE MENU

(func) PRESS TO SELECT 'RDM'

3

MODE PRESS TO CONFIRM

4

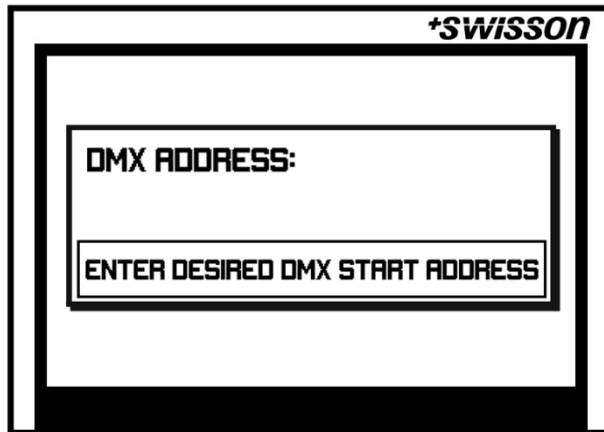


PRESS TO SELECT

Spectra Drive	DMX Channels
SD 1	001 – 004
SD 2	005 – 008
SD 3	009 - 012
....

NOTE: Horti-Blade™ Tunable utilises four channels which correspond to four following DMX addresses assigned to that Spectra Drive (SD). The DMX start address of each SD should be in **sequences of 4**, i.e. SD 1 utilises channels 001, 002, 003, 004. If a different output is required, SD 2 will then start at channel 005 to 008 and so on with no overlapping channels.

5



PRESS TO CHANGE VALUE



PRESS TO CONFIRM



PRESS TO RETURN TO MENU

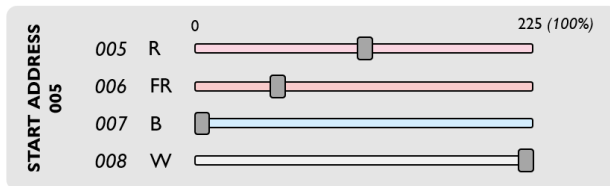
ONCE CONFIRMED, CYCLE POWER TO RESET SPECTRA DRIVE

DMX CHANNEL EXAMPLE

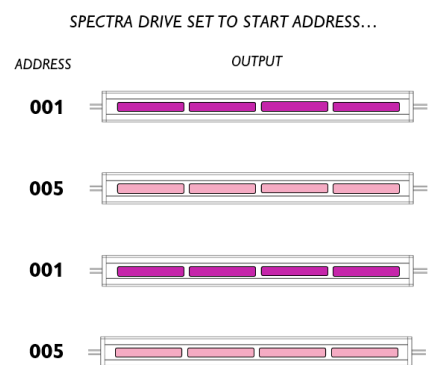


OUTPUT

PURPLE



PINK



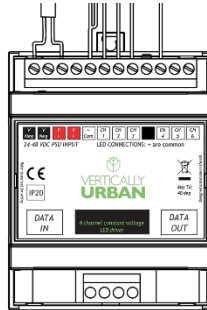
PROCEED TO PAGE 13 FOR LINKING SPECTRA DRIVES

MODBUS SETUP

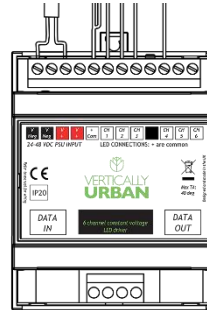
SPECTRA DRIVE CONFIGURATION EXPLANATION

- Start Register** – First holding register →
- Baud Rate** – Baud rate of the Master
- Slave ID** – Slave ID of the VU-Spectra-Drive →
- No. of Holding Registers** - Each channel is represented by one Holding Register. Value of holding register is value from 0 to 255; 0 being OFF and 255 representing 100% Brightness →
- Save** – Saves settings and restarts driver

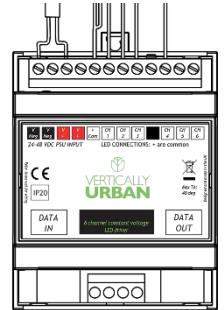
SLAVE ID: 1
NO. HOLDING REG: 4



SLAVE ID: 2
NO. HOLDING REG: 4



SLAVE ID: 3
NO. HOLDING REG: 4



1

IMPORTANT
ENSURE LUMINAIRE IS WIRED CORRECTLY. THEN POWER ON

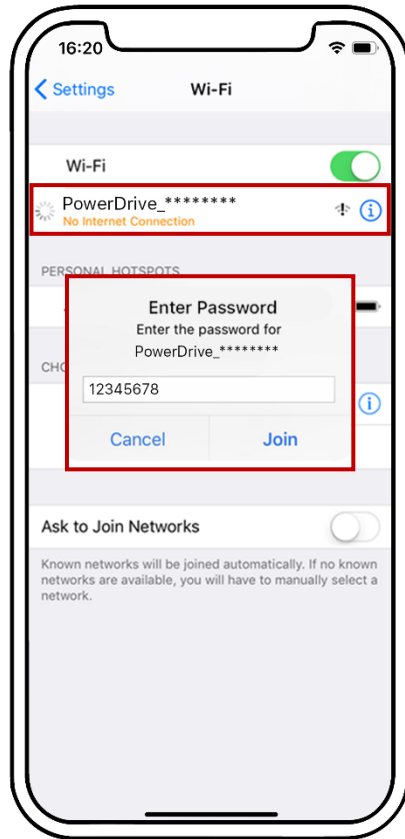
2

*RE-APPLY LID WHEN SETUP COMPLETE

QUICK PRESS
(THEN WAIT 10s)

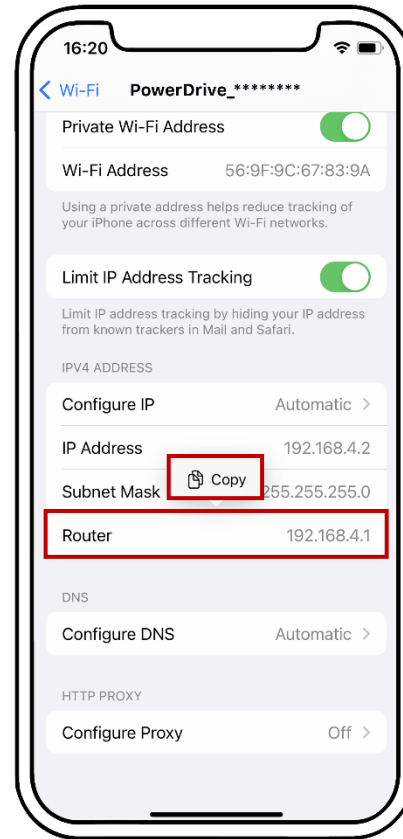
iOS SETUP INSTRUCTIONS

- ⚠ It may be necessary to disable Wi-Fi Assist to connect to MODBUS
(Settings > Cellular OR Settings > Mobile Data > Wi-Fi Assist)

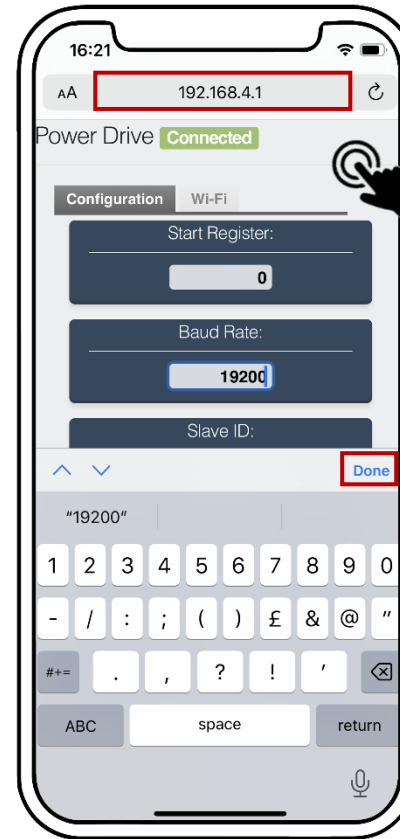


1. Connect to PowerDrive_***** using password 12345678

(where * will be a randomly assigned letter/number combination)

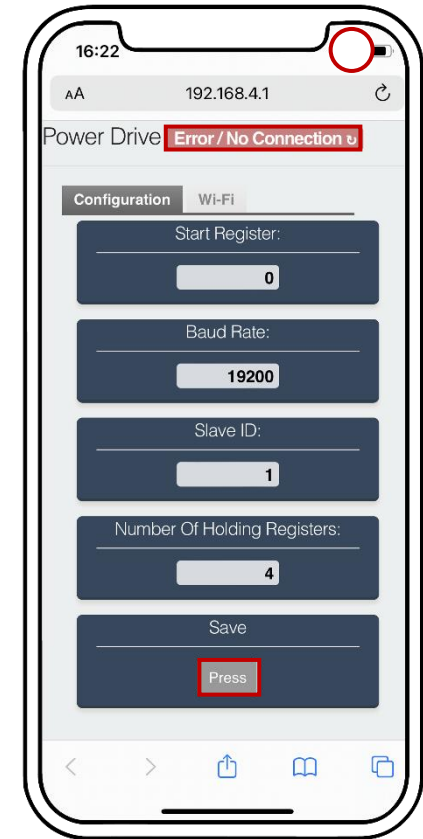


2. Click ⓘ next to the Wi-Fi name, scroll to the bottom of this page, and hold to copy Router IP address



3. Open Safari and paste IP address into search bar.

IMPORTANT: Once value is entered into the field, press 'Done' on the keyboard to hide and tap on an empty space on the webpage to confirm entry into field



4. Once fields are correct, press the 'Press' button in the 'Save' field once. Wi-Fi will then disconnect.

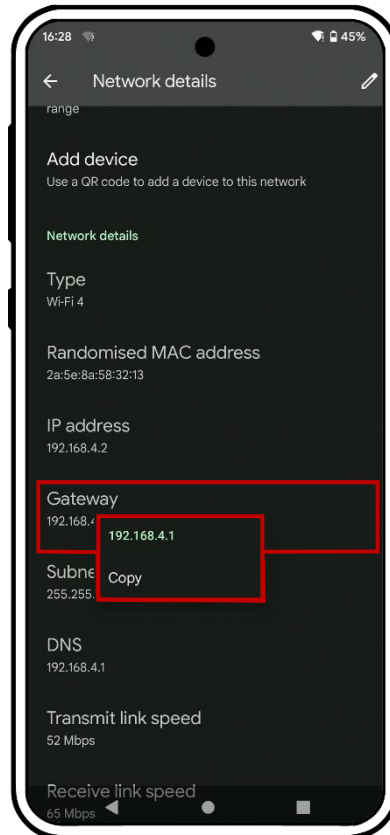
5. Cycle power to restart device. MODBUS setup is now complete.


ANDROID SETUP INSTRUCTIONS

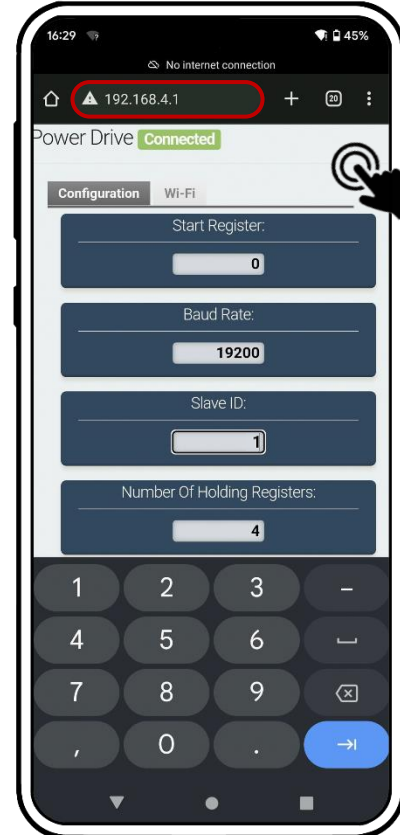


1. Connect to PowerDrive_***** using password 12345678

(where "*" will be a randomly assigned letter/number combination)

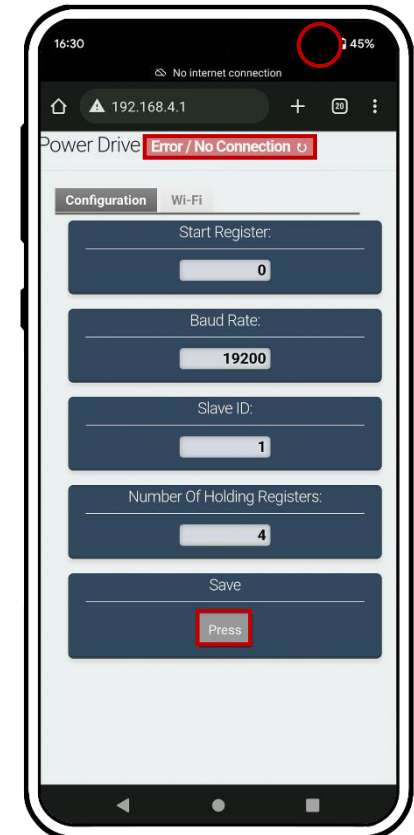


2. Click  next to the Wi-Fi name, scroll to the bottom of this page, and hold to copy Gateway IP address.



3. Open Browser and paste IP address into search bar.

IMPORTANT: Once value is entered into the field, tap on an empty space on the webpage to confirm entry into field.

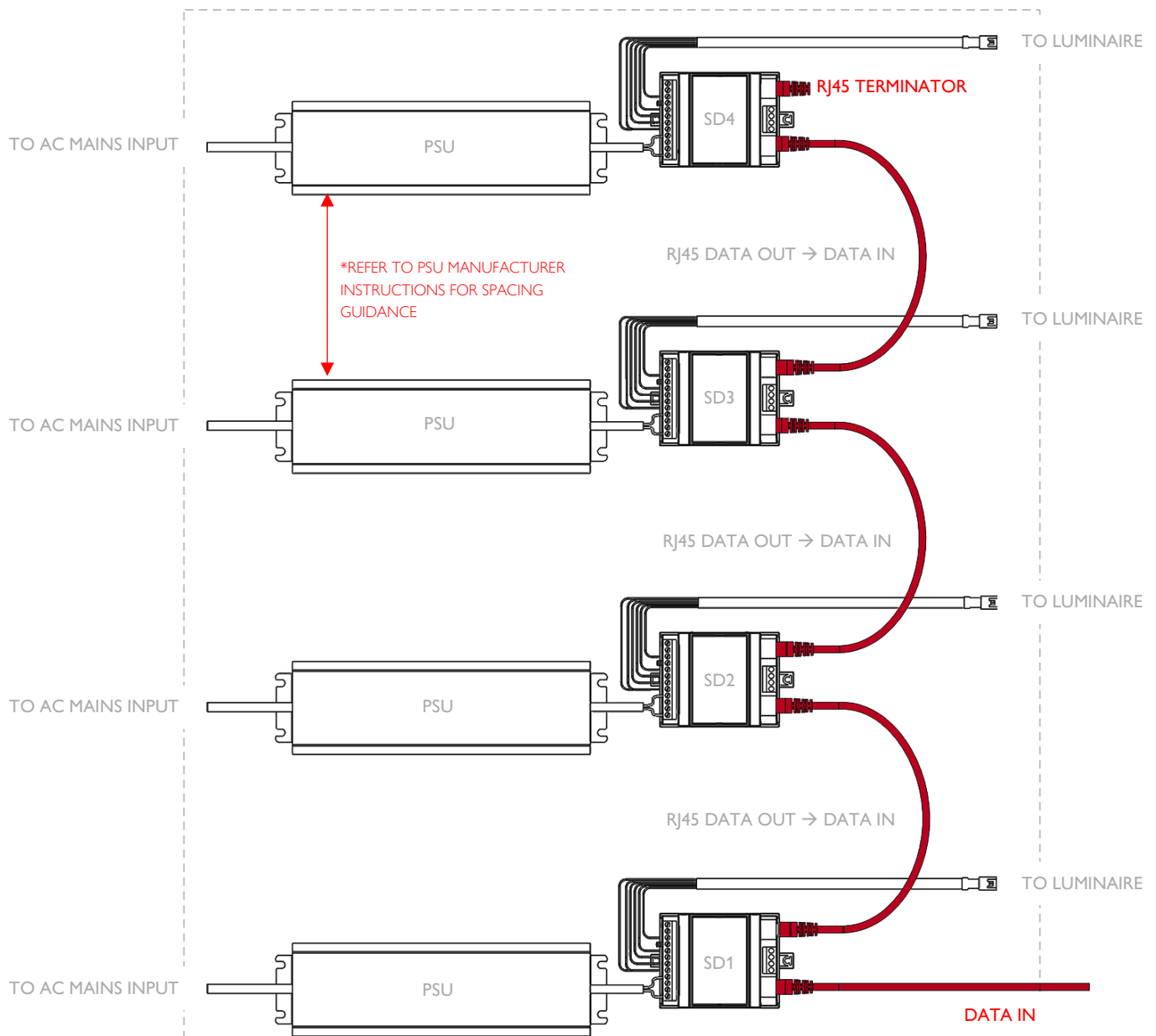


4. Once fields are correct, press the 'Press' button in the 'Save' field once. Wi-Fi will then disconnect.

5. Cycle power to restart device. MODBUS setup is now complete.

LINKING SPECTRA DRIVES (RJ45 CONNECTORS)

WIRING EXAMPLE (NOT IP RATED)



MAKE SURE SPECTRA DRIVES ARE ARRANGED IN SAME ORDER AS ADDRESSED

MAXIMUM CHAIN LENGTH IS 31 x VU SPECTRA DRIVES (SD) CONNECTED

- * Refer to PSU datasheet for detailed install data
- ⚠ Do NOT exceed maximum load for supplied fittings (see table on Page 8)
- ⚠ RJ45 cable should be wired as per T-568B Standard with the Orange as Data -, Orange/White as Data +, and Brown and Brown/White as Ground

PROCEED WITH DMX SCENE CONFIGURATION USING CUSTOMER CONTROL SYSTEM

CAUTIONS

- ⚠ Do NOT coil any power wires.
- ⚠ Please take note of luminaire and PSU ingress protection rating when deciding location.
- ⚠ Always allow sufficient slack not to overstretch the cable. Do NOT bend the cable beyond its specified bend radius.
- ⚠ Make sure all connections made are tight with no loose strands and with an appropriate IP rating.
- ⚠ Do NOT hot-plug – isolate all power before adding or removing fittings.
- ⚠ Do NOT reverse polarity.
- ⚠ Always allow sufficient slack on the supply cable to remove the luminaire from its position for any further maintenance.
- ⚠ Make sure cables are not in contact with any sharp objects; do NOT leave cables or any connectors exposed to rain/moisture for any period.

DISCLAIMER

- ⚠ All images are representative and may not be the actual product supplied, depending on the ordering options.
- ⚠ **WARNING:** Never attempt to hot plug the LED horticulture light or engage with any control system while power is connected. Always ensure that the power source is **completely disconnected** before handling any plugs or making any connections to avoid the risk of electrical shock or damage to the equipment.
- ⚠ Avoid staring directly into light beam.
- ⚠ The product should be installed by a *certified electrician and follow local regulations*.
- ⚠ Take extreme care when working with mains voltages.
- ⚠ There are no user-serviceable parts inside this unit. Do NOT attempt any repairs yourself. Doing so voids your manufacturer's warranty.
- ⚠ During operation, the housing may become hot. Avoid touching the unit with bare hands while in use.
- ⚠ Do NOT allow the product to operate in ambient temperatures above the maximum ambient stated on the datasheet. Doing so will void any warranty.
- ⚠ Do NOT use aggressive cleaning agents. Any warranty will not cover any chemical damage to the seals.
- ⚠ Do NOT hot-plug the LED fittings or PSUs. Doing so will invalidate the warranty.
- ⚠ Ensure the chosen location provides adequate airflow to allow passive cooling.