



VERTICALLY
URBAN

ODYSSEY 600

Tunable

INSTALLATION INSTRUCTIONS



PLEASE ENSURE YOU HAVE READ THE FOLLOWING INSTRUCTIONS THOROUGHLY AND CAN UNDERTAKE THE REQUIRED ACTIONS BEFORE COMMENCING INSTALLATION.

IF YOU HAVE ANY QUERIES, PLEASE CONSULT VU TECHNICAL SUPPORT DEPARTMENT BEFORE PROCEEDING.

THIS PRODUCT SHOULD BE INSTALLED BY A CERTIFIED ELECTRICIAN AND FOLLOW LOCAL REGULATIONS.

IMPORTANT SAFETY INFORMATION

Please read instructions carefully and in their entirety. For Commercial or Industrial use only. (Not For Residential Use)

CAUTIONS

- ⚠ Always turn off power before installation, inspection, cleaning, or removal.
- ⚠ Do NOT bend the cables beyond its specified bend radius
- ⚠ Make sure all connections made are tight with no loose strands and with an appropriate IP rating.
- ⚠ Do NOT hot-plug, use dimmers, or switches on the DC side. Doing so will invalidate the warranty.
- ⚠ Do NOT reverse polarity.
- ⚠ Do NOT allow any object to touch/obscure lens during operation
- ⚠ Allow sufficient slack on supply cable to remove the luminaire from its position for any further maintenance.
- ⚠ Ensure supply cable is not in direct contact with any sharp objects.
- ⚠ **PHOTOBIOLOGICAL HAZARD:** The luminaire should be positioned so that prolonged staring into the luminaire at a distance closer than 15m is not expected.

ENVIRONMENTAL INSTALLATION CONDITIONS

- ⚠ Please note luminaire and power supply unit ingress protection rating when deciding location.
- ⚠ Luminaire suitable for dry, damp, and wet locations (IP66).
- ⚠ NOT to be stored or mounted exposed directly to the weather or excessive moisture.
- ⚠ Ensure installation / site protocols ensures objects cannot touch light emitting surfaces during operation.
- ⚠ Light emitting surfaces must always be kept clean.
- ⚠ Minimum 100mm distance between adjacent lighting equipment.
- ⚠ Minimum 100mm distance between lighting equipment and combustible materials (e.g. walls, ceilings)
- ⚠ Minimum 100mm distance between lighting equipment and other heat generating equipment (i.e. PSU).
- ⚠ Suitable for operation in an ambient temperature between -10°C (14°F) and 35°C (95°F).
- ⚠ Suitable for storage and shipping in a temperature between -30°C (-22°F) and 85°C (185°F)
- ⚠ Ensure the chosen location provides adequate airflow to allow passive cooling.

DISCLAIMER

- ⚠ All images are representative and may not be the actual product supplied, depending on the ordering options.
- ⚠ Avoid staring directly into light beam.
- ⚠ Wear appropriate Personal Protective Equipment (PPE) during installation and maintenance, such as safety glasses and helmet.
- ⚠ The product should be installed by a suitably qualified individual following National Electric Codes (NEC) and local codes/regulation.
- ⚠ Take extreme care when working with mains voltages.
- ⚠ There are NO user-serviceable parts inside this unit. Do NOT attempt any repairs yourself. Doing so will void the manufacturer's warranty.
- ⚠ During operation, the housing may become hot. Avoid touching the unit with bare hands while in use.
- ⚠ Do NOT allow the product to operate in ambient temperatures above the maximum ambient stated on the datasheet. Doing so will void any warranty.
- ⚠ Do NOT use aggressive cleaning agents. Any warranty will not cover any chemical damage to the seals.
- ⚠ Do NOT attempt to install more than one luminaire per PSU as per instructions.
- ⚠ Only use supplied components for installation.

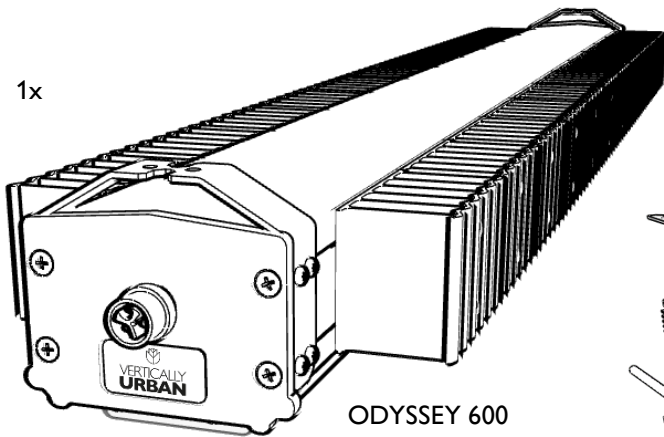
Contents

| | |
|--|----|
| IMPORTANT SAFETY INFORMATION | 2 |
| Contents | 3 |
| 1. COMPONENTS LIST | 4 |
| 2. SPECIFICATIONS..... | 5 |
| 3. MOUNTING INSTRUCTONS | 6 |
| 3.1. VU-MOUNTING-KIT-ODYSSEY-UNISTRUT | 6 |
| 3.2. VU-MOUNTING-KIT-ODYSSEY-UNIVERSAL-CABLE..... | 9 |
| 4. WIRING..... | 11 |
| 4.1. PSU ASSEMBLY CONNECTIONS | 11 |
| 4.2. LINKING NODES | 11 |
| 4.3. PSU INPUT - SINGLE PHASE TO SINGLE PHASE..... | 12 |
| 4.4. PSU INPUT - SINGLE PHASE TO 3-PHASE | 12 |
| 4.5. CONTROL CONNECTIONS | 13 |
| 5. MODBUS SETUP | 17 |
| 5.1. CONFIGURATION..... | 17 |
| 5.2. iOS Setup | 18 |
| 5.3. Android Setup | 19 |
| 6. MCB LOADING TABLES | 20 |
| 6.1. 220V..... | 20 |

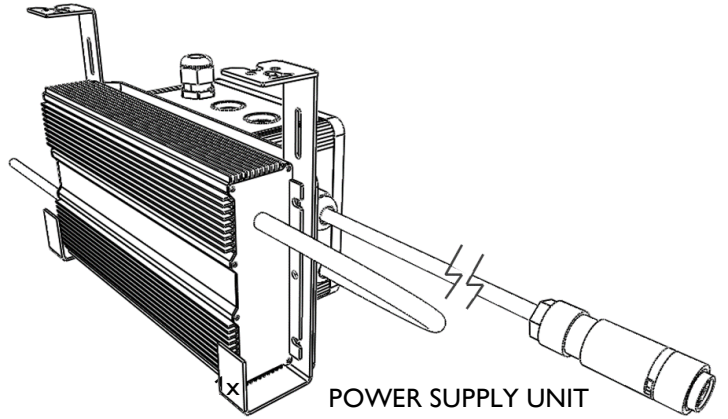
| REVISION TABLE | | | | |
|----------------|------------|------------------|-----------|-------------|
| REVISION | DATE | COMMENTS | AUTHOR | APPROVED BY |
| A | 13/02/2021 | DOCUMENT CREATED | L. Gibson | MB |
| | | | | |
| | | | | |
| | | | | |

1. COMPONENTS LIST

1x



ODYSSEY 600

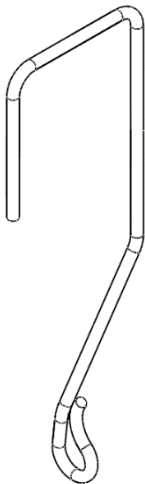


1x

POWER SUPPLY UNIT (PSU) ASSEMBLY

OPTIONAL ACCESSORIES

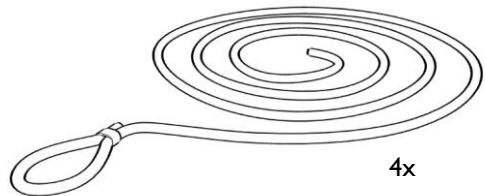
VU-MOUNTING-KIT-ODYSSEY-UNISTRUT (016856)



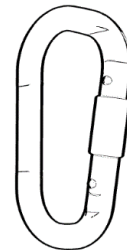
4x

OR

VU-MOUNTING-KIT-ODYSSEY-UNIVERSAL-CABLE (016857)



4x



4x



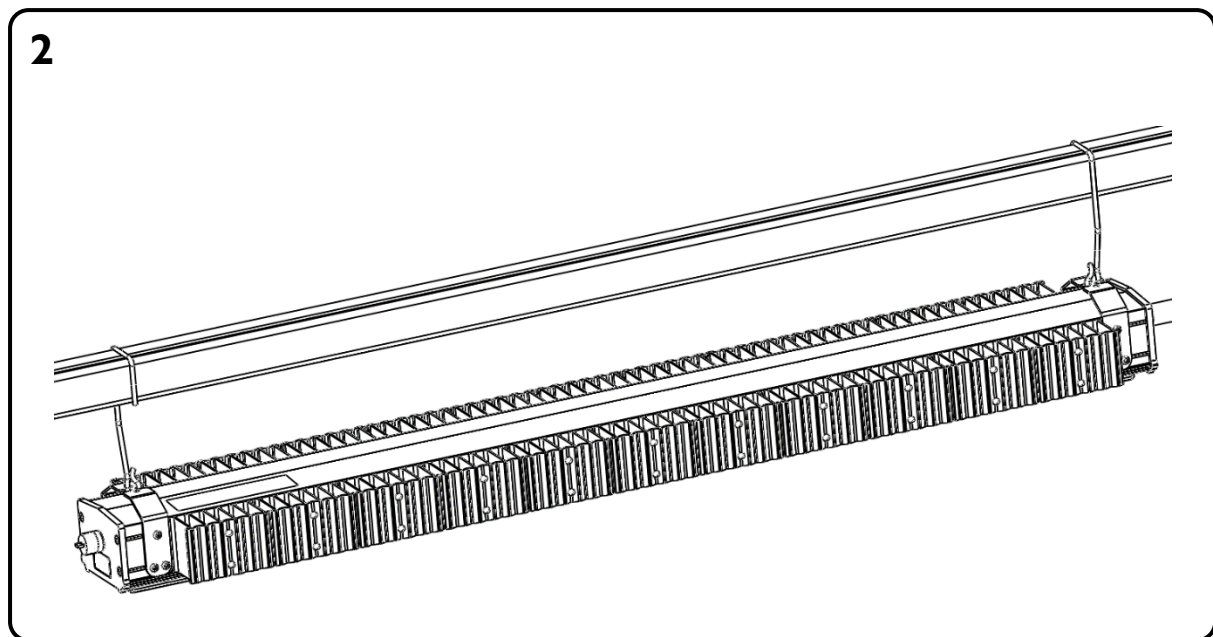
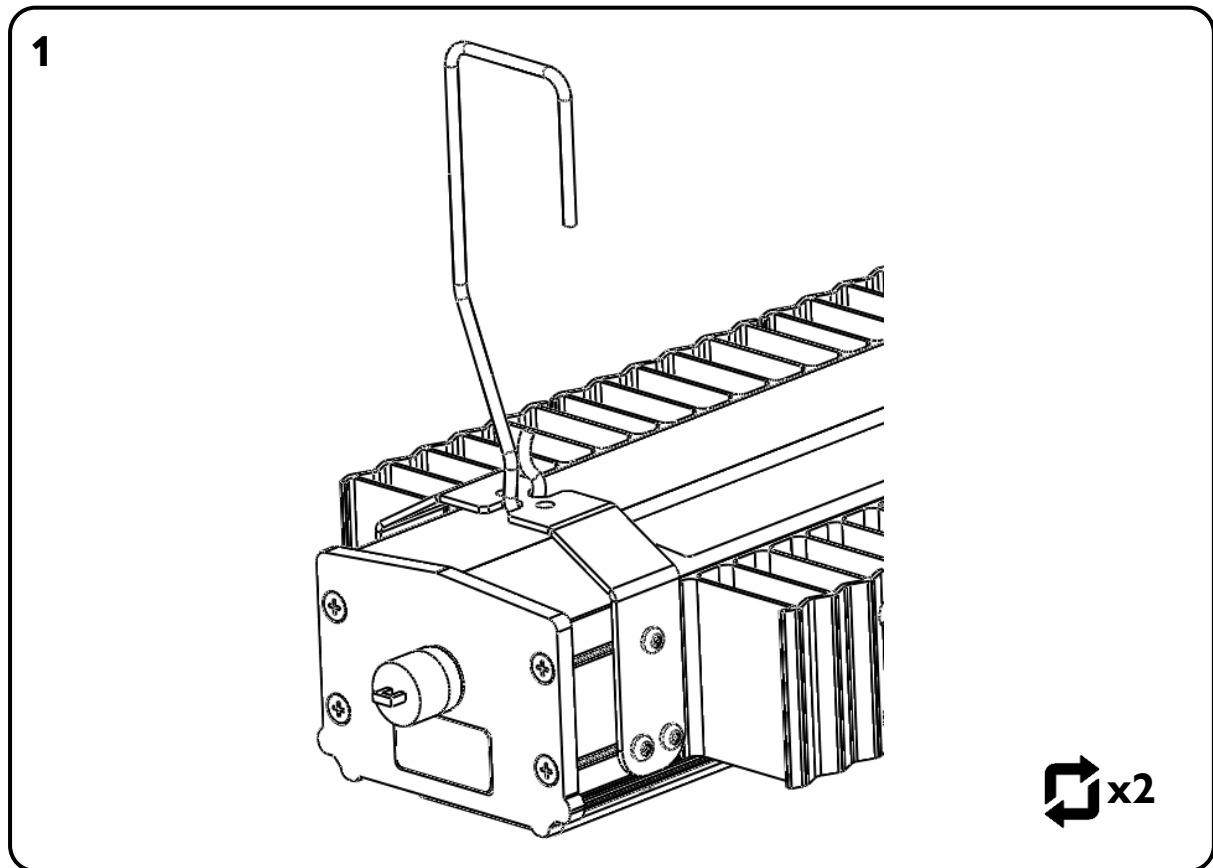
4x

2. SPECIFICATIONS

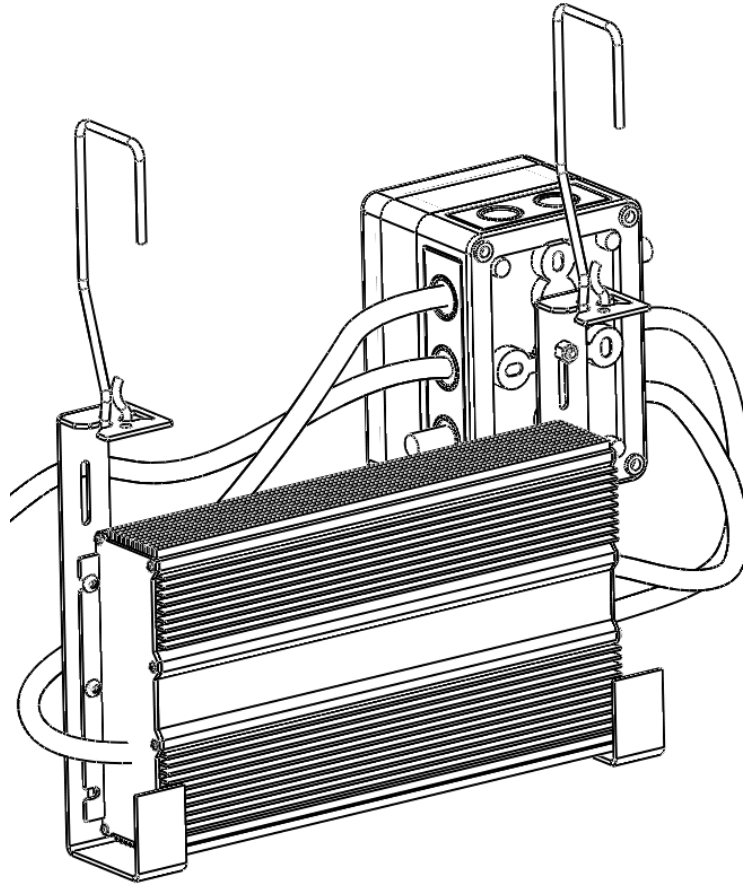
| Part No. | Description | Length(mm) | Spectrum | Power (W) | Input Voltage (VAC) |
|----------|---------------------------------------|------------|----------|-----------|---------------------|
| 020285 | VU-ODYSSEY-600-ODT01-1056mm-230V-IP66 | 1056 | ODT01 | 540 | 90-305 |

3. MOUNTING INSTRUCTIONS

3.1. VU-MOUNTING-KIT-ODYSSEY-UNISTRUT

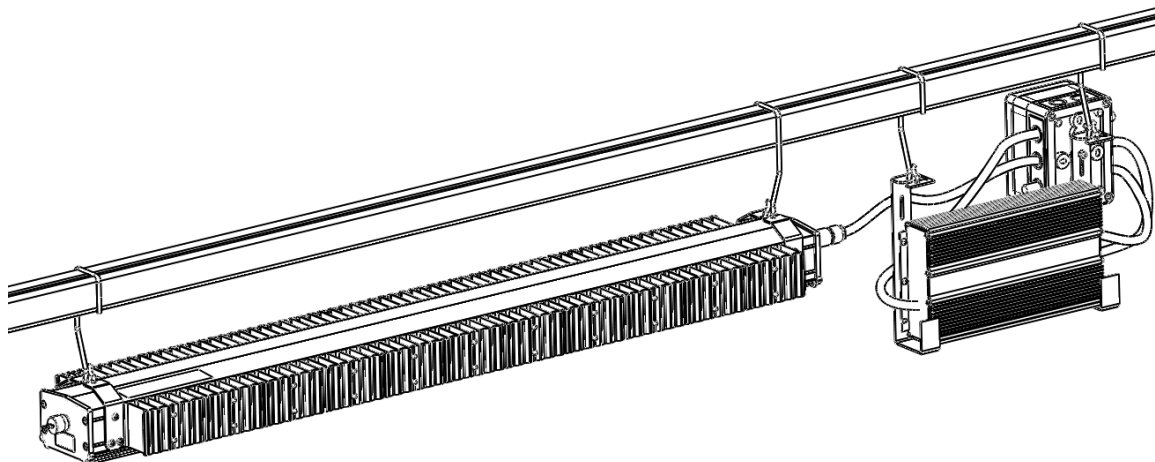


3



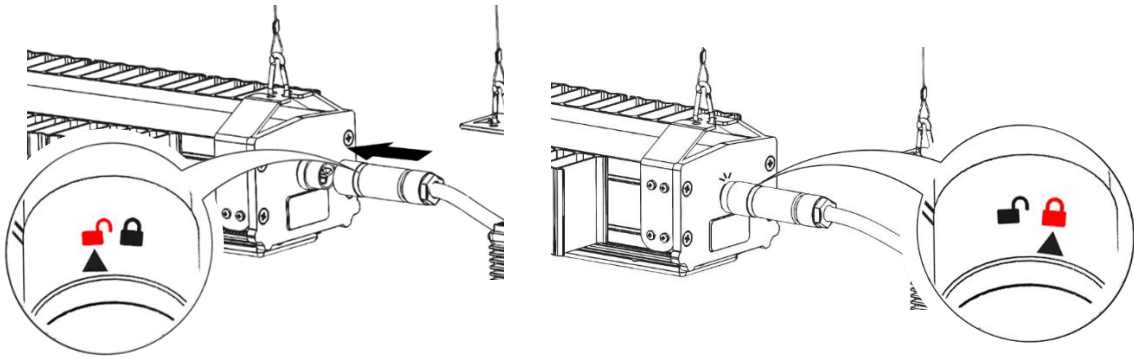
PSU appearance may vary

4

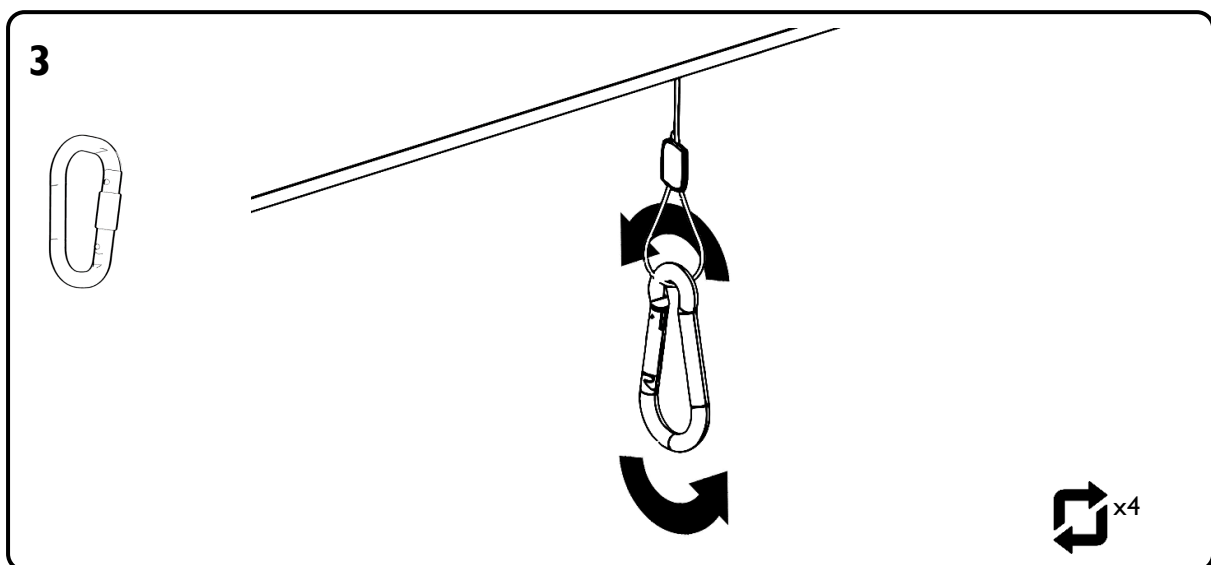
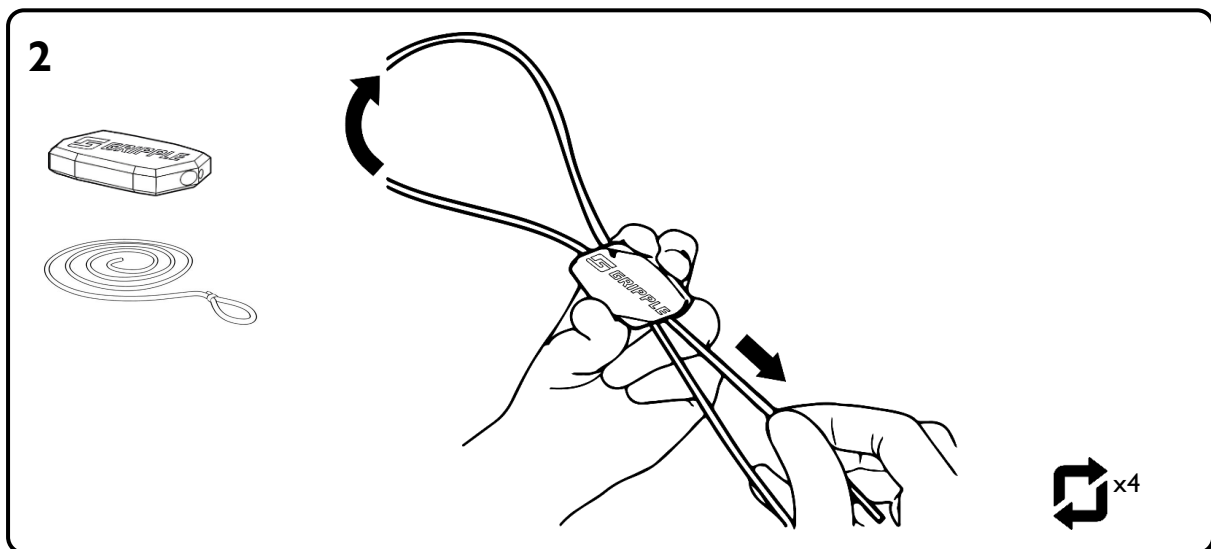
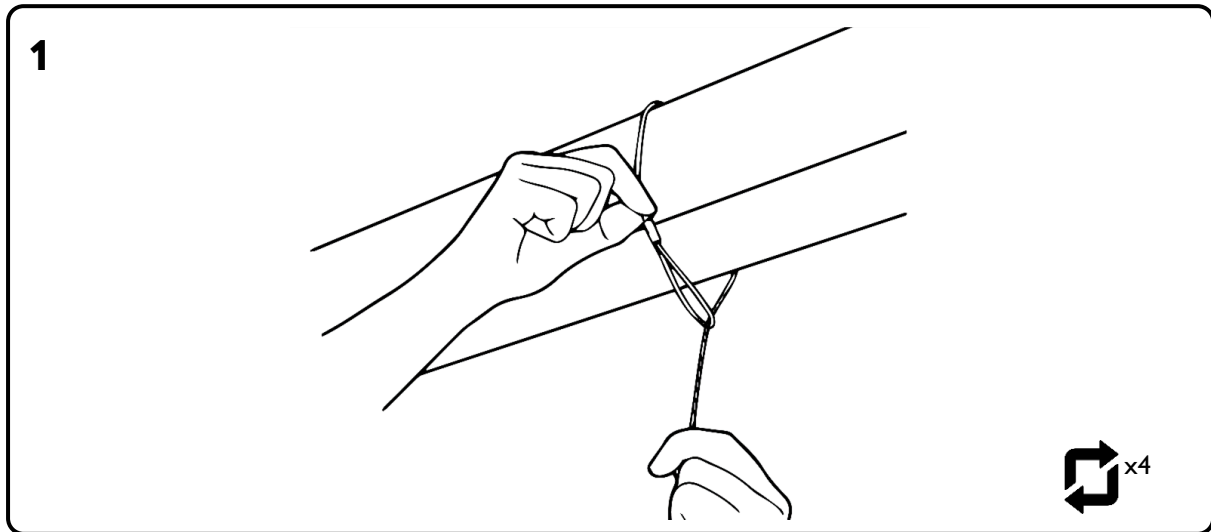


PSU appearance may vary

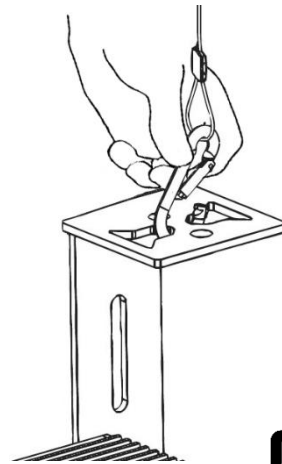
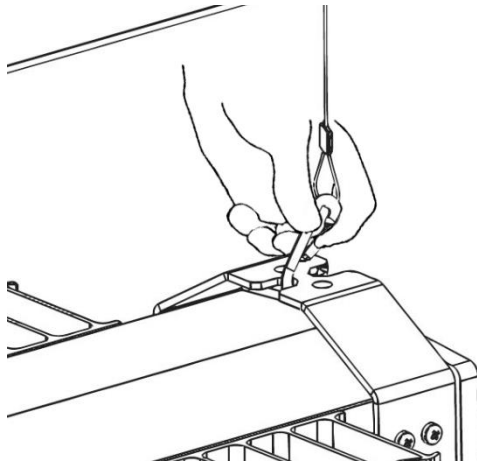
5



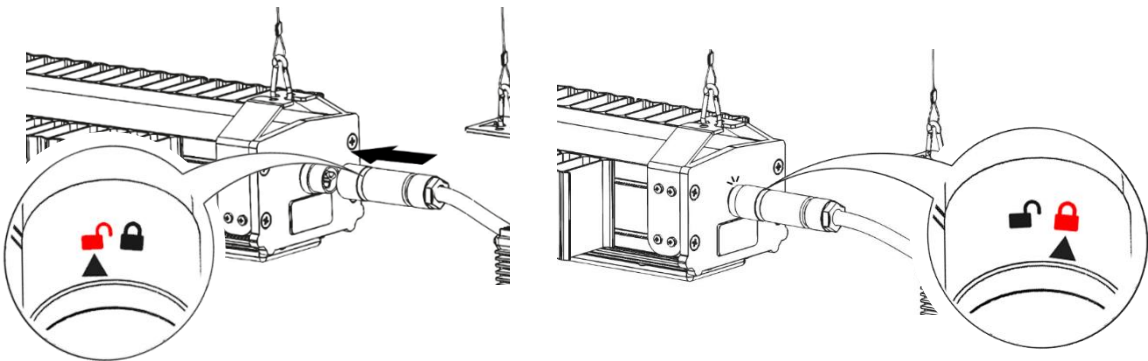
3.2. VU-MOUNTING-KIT-ODYSSEY-UNIVERSAL-CABLE



4



5



WARNING!
POSSIBLE RISK OF INJURY TO EYES
AND SKIN

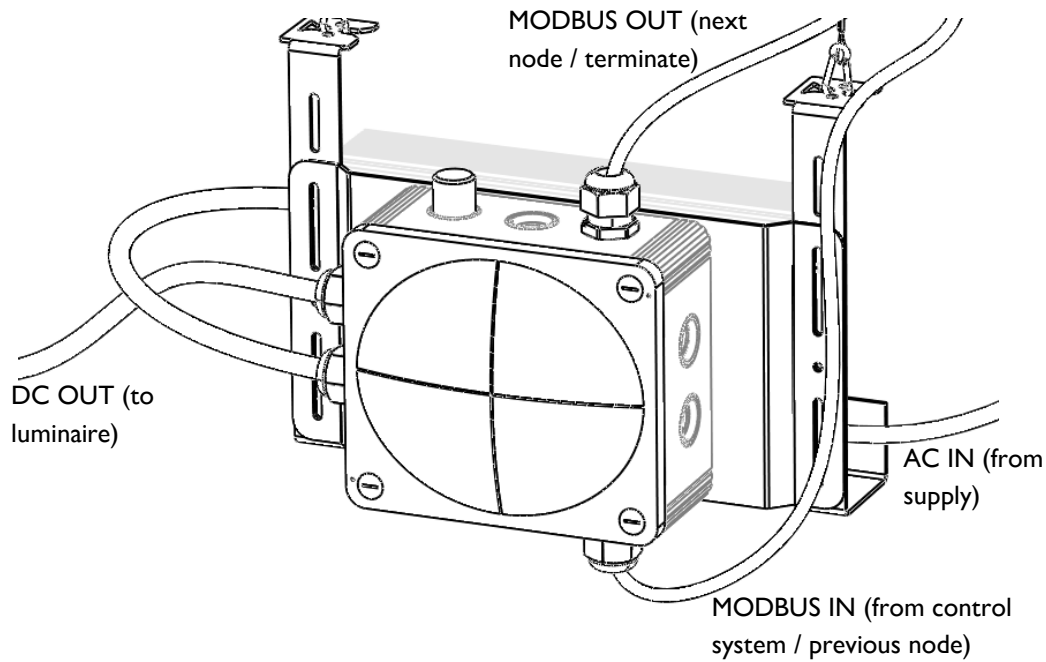
4. WIRING



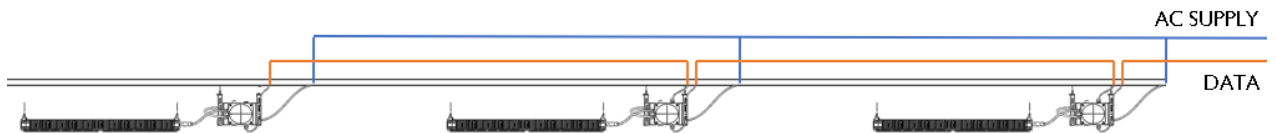
CAUTION!
RISK OF SHOCK
DISCONNECT POWER BEFORE RELAMPING / ANY
MODIFICATION OF PSU WIRING

4.1. PSU ASSEMBLY CONNECTIONS

Example with data cables in place



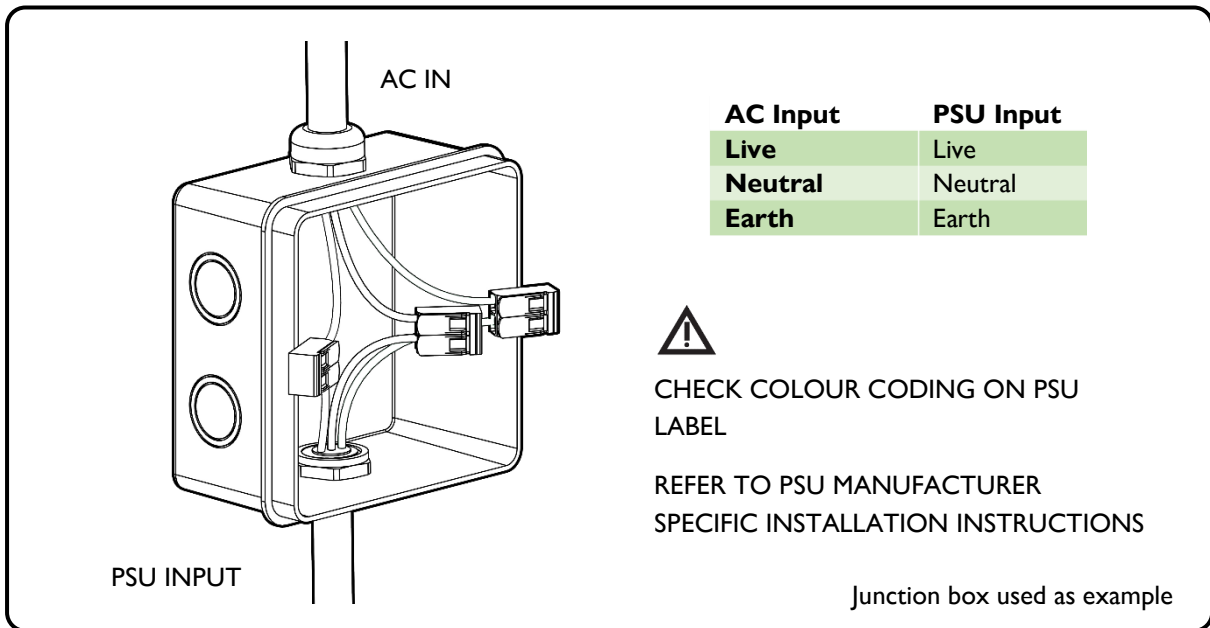
4.2. LINKING NODES



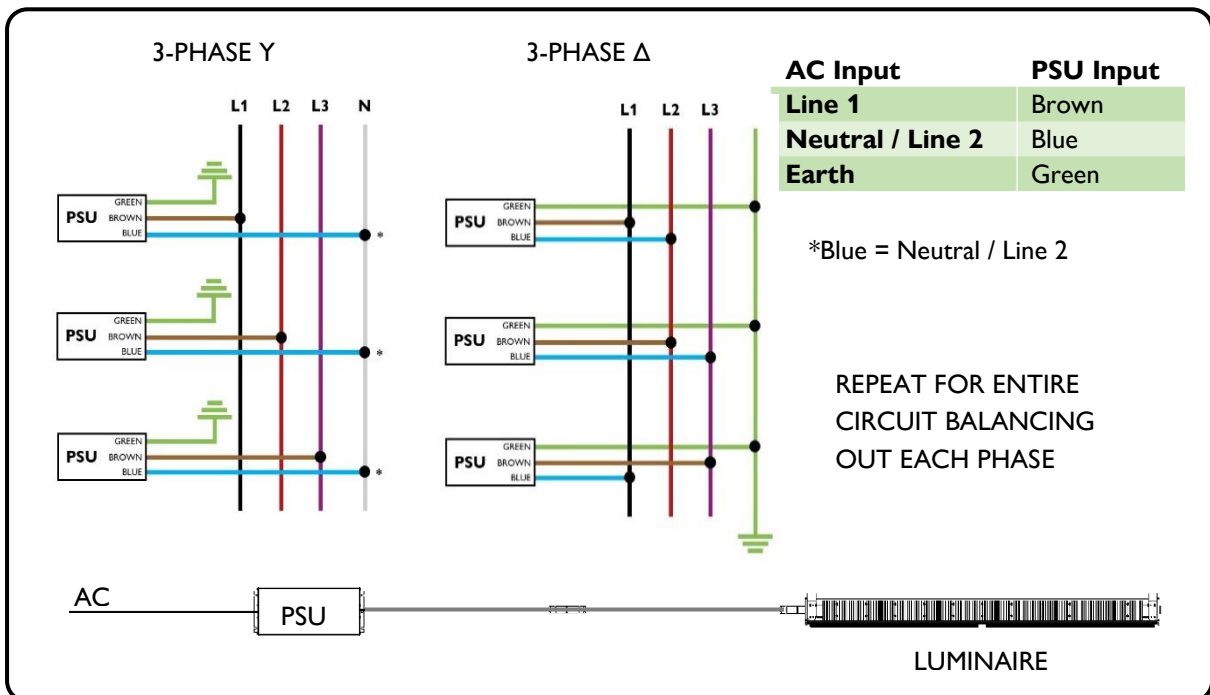
MAKE SURE SPECTRA DRIVES ARE ARRANGED IN SAME ORDER AS ADDRESSED

MAXIMUM CHAIN LENGTH IS 31 x NODES CONNECTED

4.3. PSU INPUT - SINGLE PHASE TO SINGLE PHASE



4.4. PSU INPUT - SINGLE PHASE TO 3-PHASE

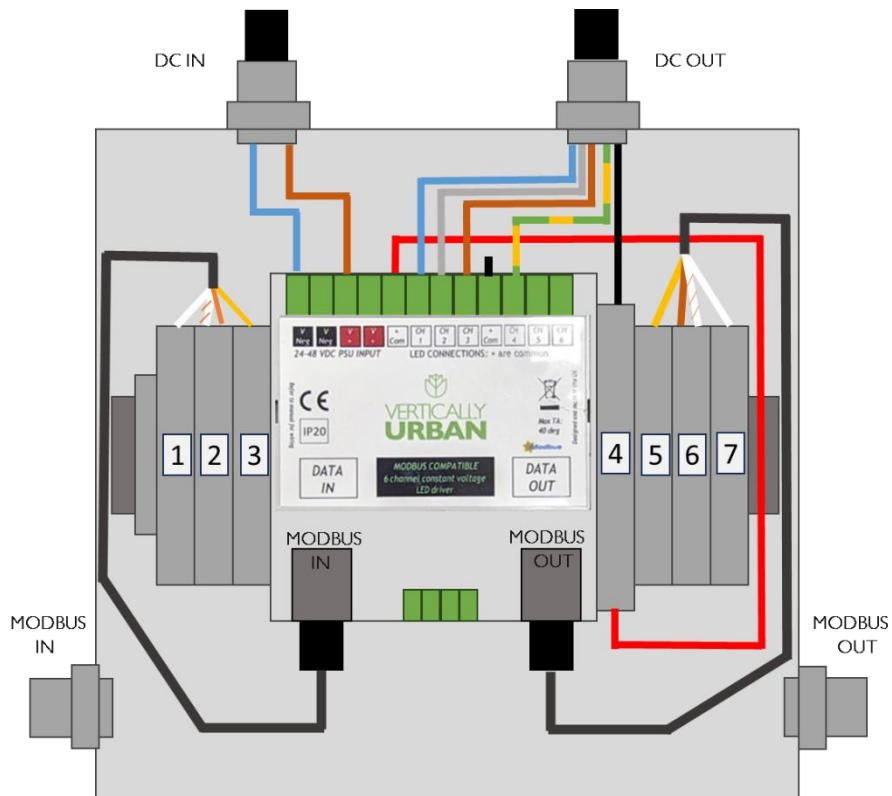
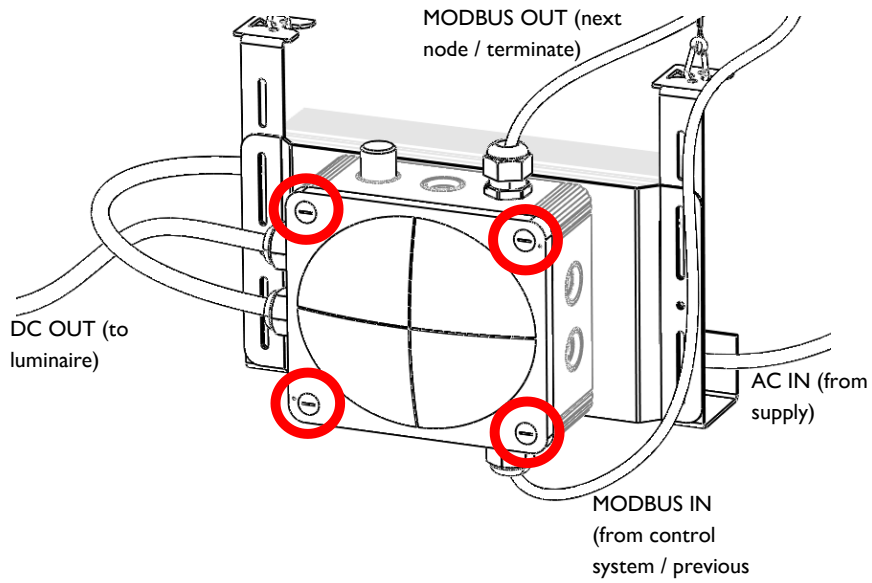


4.5. CONTROL CONNECTIONS

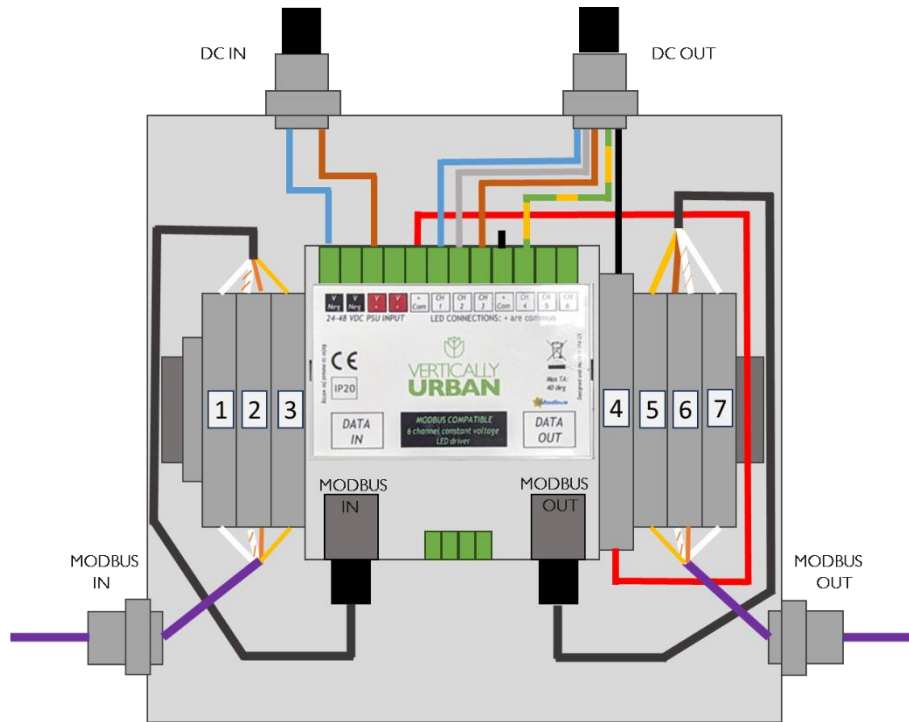


CAUTION!
RISK OF SHOCK
DISCONNECT POWER BEFORE RELAMPING / ANY
MODIFICATION OF PSU WIRING

1. REMOVE COVER



2. CONNECT DATA CABLES VIA TERMINALS

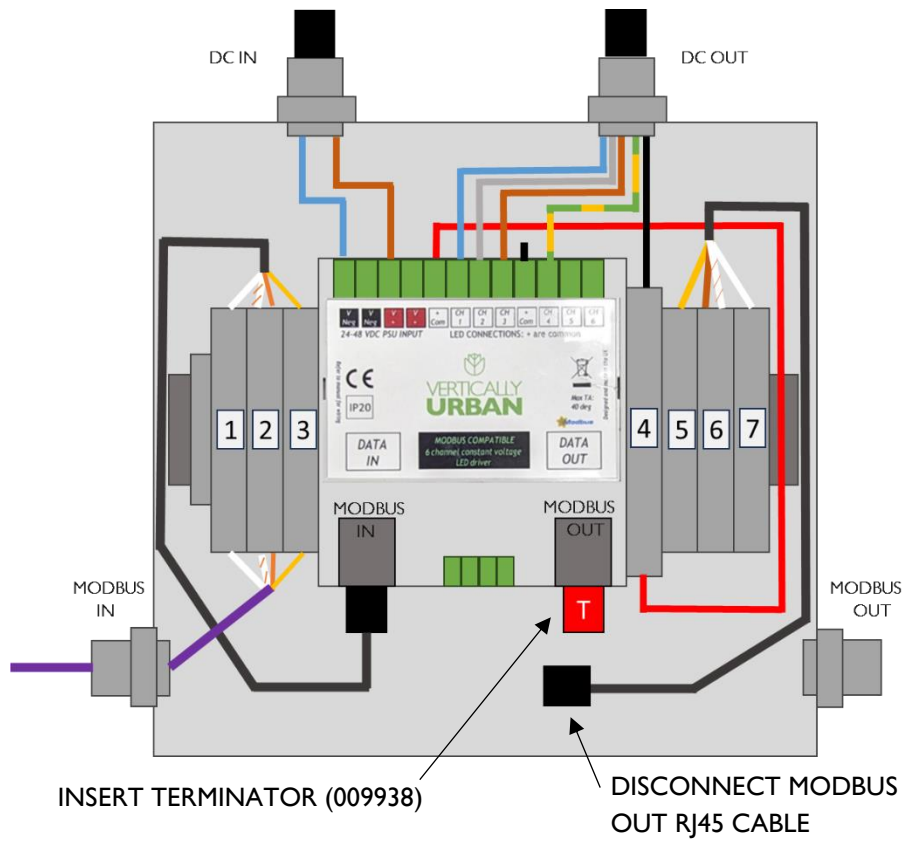


| MODBUS IN | TERMINAL |
|-------------------|-----------------|
| DATA+ | 1 |
| GROUND | 2 |
| DATA- | 3 |
| MODBUS OUT | TERMINAL |
| DATA+ | 7 |
| GROUND | 6 |
| DATA- | 5 |

RJ45 CABLE CODING AS PER T-568B STANDARD (Orange as Data -, Orange/White as Data +, and Brown and Brown/White as Ground)

1-31 nodes may be connected per data string. Final node must be terminated.

3. TERMINATE FINAL NODE IN DATA STRING



5. MODBUS SETUP

5.1. CONFIGURATION

Start Register – First holding register

Baud Rate – Baud rate of the Master (DEFAULT 19200)

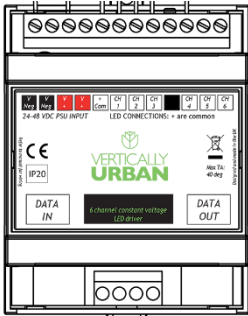
Slave ID – Slave ID of the node (DEFAULT 1)

No. of Holding Registers - Each channel is represented by one Holding Register. Value of holding register is value from 0 to 255; 0 being OFF and 255 representing 100% Brightness

Save – Saves settings and restarts driver

1

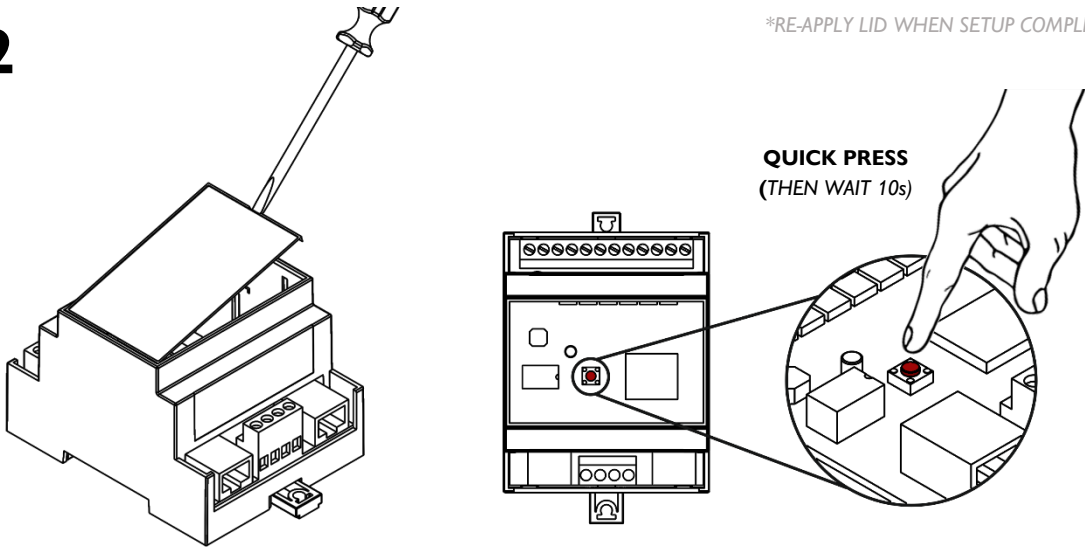
ON



IMPORTANT
ENSURE LUMINAIRE IS WIRED CORRECTLY, THEN POWER ON

2

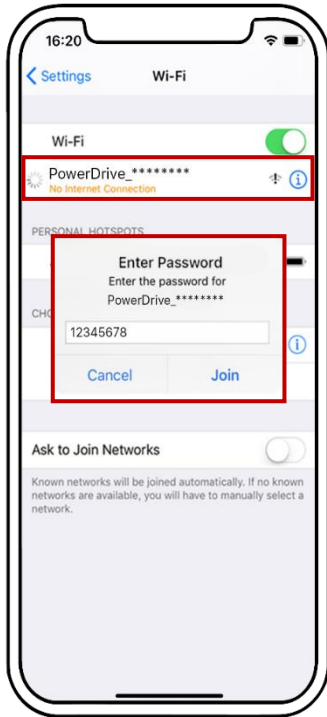
*RE-APPLY LID WHEN SETUP COMPLETE



QUICK PRESS
(THEN WAIT 10s)

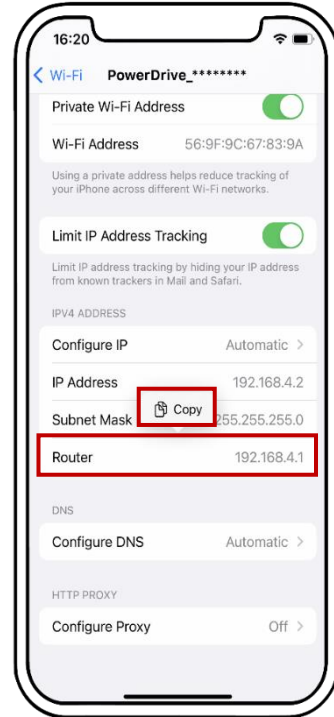
5.2. iOS Setup


It may be necessary to disable Wi-Fi Assist to connect to MODBUS
(Settings > Cellular OR Settings > Mobile Data > Wi-Fi Assist)

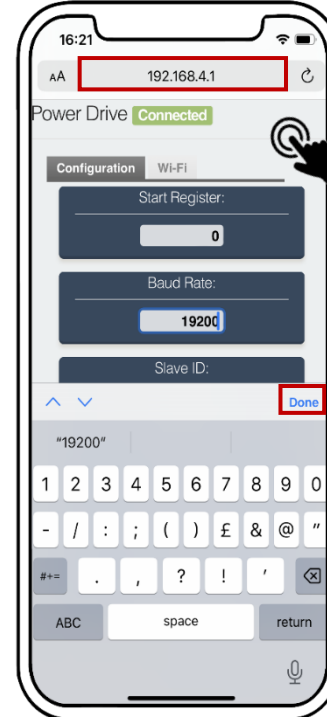


1. Connect to
PowerDrive_***** using
password 12345678

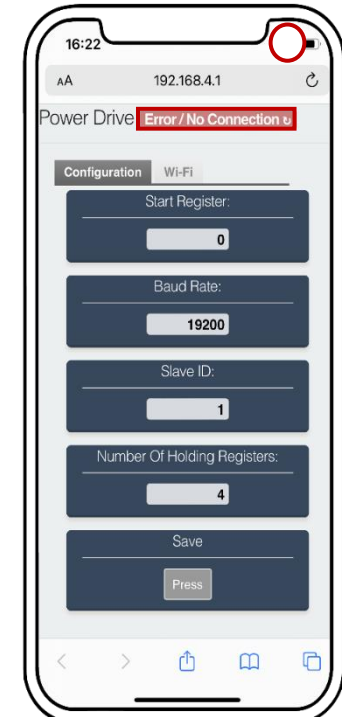
(where '*' will be a randomly
assigned letter/number combination)



2. Click  next to the Wi-Fi
name, scroll to the bottom of this
page, and hold to copy Router IP
address



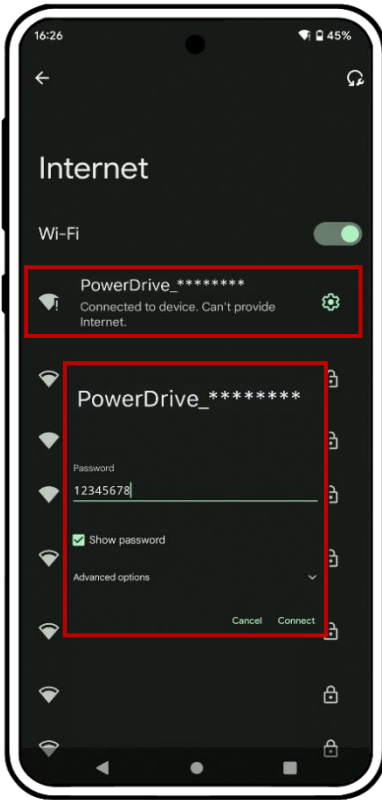
3. Open Safari, paste IP address
into search. **IMPORTANT:** Once
value entered into field, press
'Done' on keyboard to hide and tap
an empty space to confirm field
entry.



4. Once fields are correct, press the
'Press' button in the 'Save' field **once**.
Wi-Fi will then disconnect.

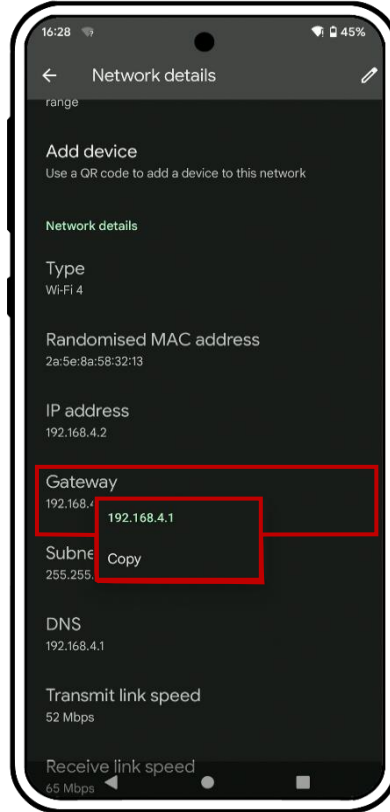
5. Cycle power to restart device.
MODBUS setup is now complete.


5.3. Android Setup

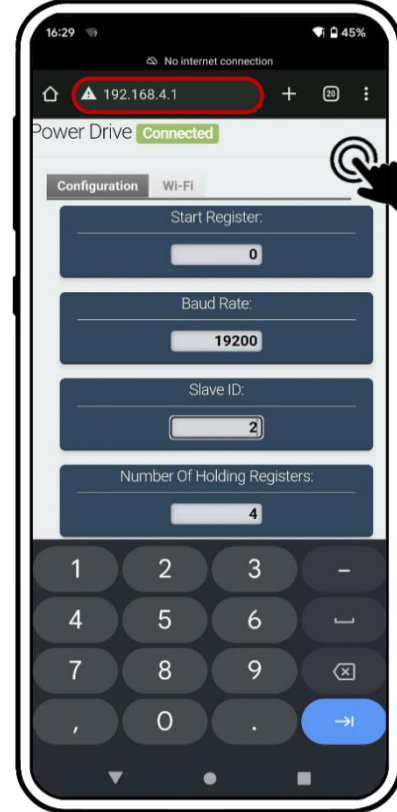


1. Connect to PowerDrive_***** using password 12345678

(where '*' will be a randomly assigned letter/number combination)

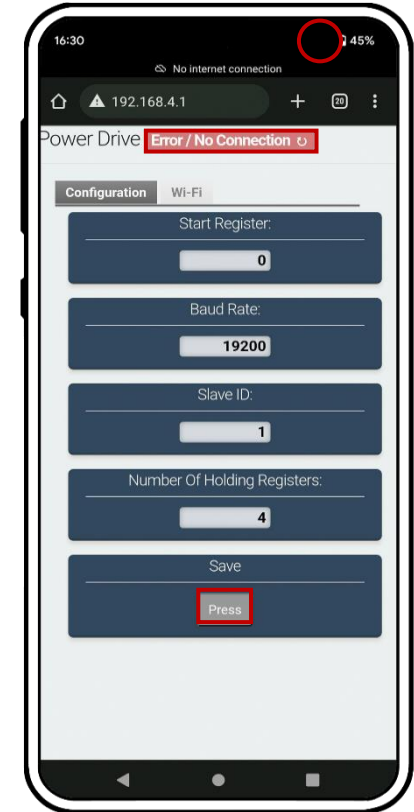


2. Click  next to the Wi-Fi name, scroll to the bottom of this page, and hold to copy Gateway IP address.



3. Open Browser and paste IP address into search bar.

IMPORTANT: Once value is entered into the field, tap on an empty space on the webpage to confirm entry into field.



4. Once fields are correct, press the 'Press' button in the 'Save' field once. Wi-Fi will then disconnect.

5. Cycle power to restart device. MODBUS setup is now complete.

6. MCB LOADING TABLES

6.1. 220V

Max. number of driver per MCB

Contact VU for further information

| Model No. | Rated I/P Current (A) | Inrush Current (A) | K factor | MCB | MCB | MCB | MCB | MCB | MCB | MCB | MCB | MCB | MCB | MCB | MCB | MCB | MCB D |
|-----------|-----------------------|--------------------|----------|------------|------------|------------|------------|-----------|------------|------------|------------|------------|-----------|------------|------------|------------|------------|
| | | | | B Type 10A | B Type 16A | B Type 20A | B Type 25A | C Type 6A | C Type 10A | C Type 16A | C Type 20A | C Type 25A | D Type 6A | D Type 10A | D Type 16A | D Type 20A | D Type 25A |
| 020285 | 2.954 | 27.6 | 1.56 | 1 | 2 | 3 | 3 | 1 | 2 | 3 | 4 | 5 | 1 | 2 | 4 | 5 | 6 |



Electrical products must be disposed of at an environmentally friendly disposal point in accordance with local regulations. Contact your local authorities for advice.

For latest installation instructions, visit <https://verticallyurban.com/resources/>



Typhoon House, Moxon Way, Leeds, LS25 6FB

Website: <https://verticallyurban.com>

Phone: +44 (0)113 322 6459

Email: hello@verticallyurban.com