

# HORTI-BLAZE TUNABLE



# VERTICALLY URBAN

LIGHTING THE FARMS OF THE FUTURE

A HIGH-POWERED, TUNABLE SPECTRUM,  
EFFICIENT LED GROW LIGHT

Ideal for Multi-Crop & Research Applications

+44 (0)113 322 6459

hello@verticallyurban.com

verticallyurban.com

VERTICALLY URBAN | Typhoon House, Moxon Way, Leeds, West Yorkshire, LS25 6FB, United Kingdom





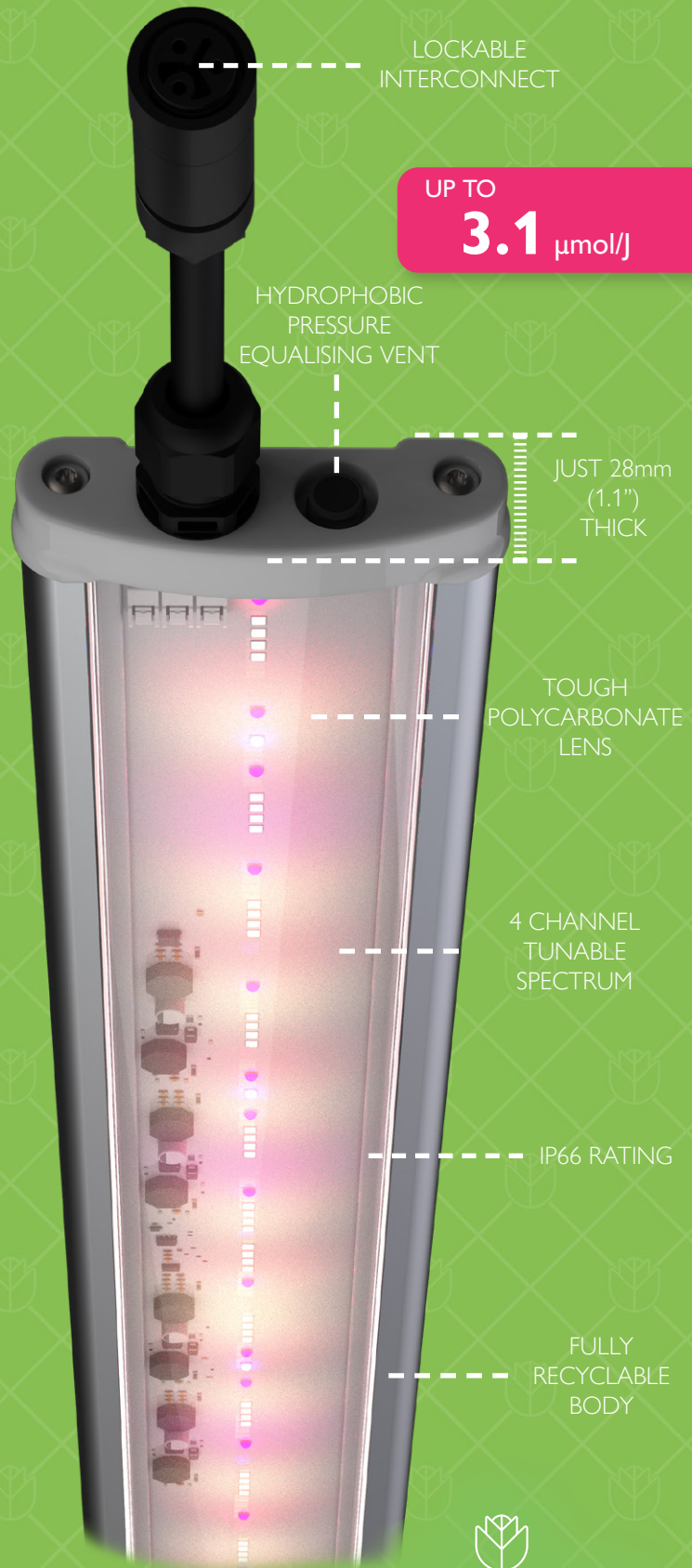
# HORTI-BLAZE TUNABLE



The Horti-Blaze™ Tunable is a high-powered, efficient and rugged horticultural LED grow-light with a fully tunable spectrum ideal for multi-crop & research installations.

Manufactured in the UK using the latest in LED technology each Horti-Blaze Tunable luminaire is individually addressable for enhanced spectrum & 4-channel dimming control via a single cable connection.

Designed to be easily integrated into racking systems, the Horti-Blaze Tunable system not only minimises the number of luminaires required, but also minimises electrical connections, reducing install cost.



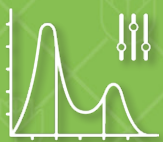
## HIGHER PPF & WIDER BEAM ANGLE

Meaning fewer luminaires for the same coverage in many cases



## LOWER INSTALL COST

Increased max run lengths mean fewer drivers & electrical connections.



## INDIVIDUALLY ADDRESSABLE CONTROL

Fully control each luminaire individually via single cable integrated connection



## INCREASED RECYCLABILITY

A fully recyclable body & refurbishable parts reduce end of life waste

+44 (0)113 322 6459

hello@verticallyurban.com

verticallyurban.com

VERTICALLY URBAN | Typhoon House, Moxon Way, Leeds, West Yorkshire, LS25 6FB, United Kingdom

VERTICALLY URBAN

© 2024 Vertically Urban Limited. All rights reserved. Information provided is subject to change without prior notice.

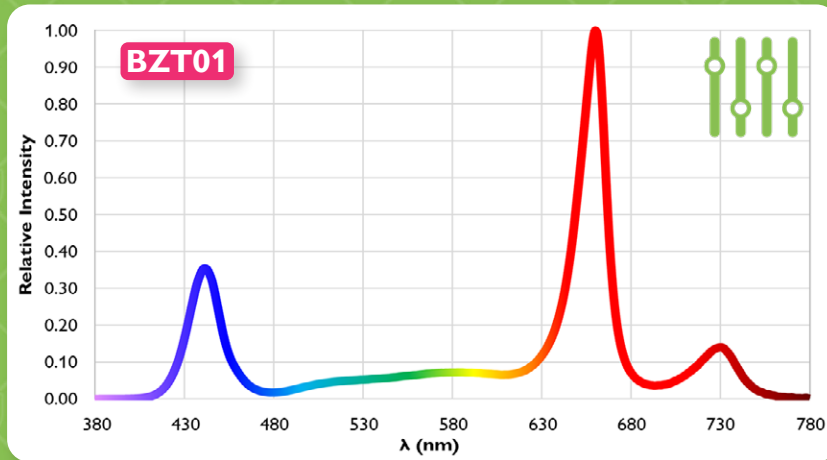
VUP0315



# HORTI-BLAZE TUNABLE



## TUNABLE SPECTRUM



Example spectrum when all four channels are set to 100%. Any desired spectrum can be tuned in by controlling the level of each channel independently.

## SPECTRUM PHOTON DISTRIBUTION & RATIOS

	BLUE PF	GREEN PF	RED PF	FAR RED PF	B:G	R:B	R:FR
<b>BZT01</b>	21%	13%	56%	10%	1.6	2.7	5.6

All channels at 100%

## SPECIFICATIONS & PRODUCT CODES

<b>PSU Input Voltage</b>	~90-305 VAC	<b>Storage Temp</b>	-20° to 85°C
<b>Luminaire Voltage</b>	48VDC	<b>Operating Temp</b>	0° to 40°C
<b>Control Input</b>	Modbus RTU	<b>IP Rating</b>	IP66 (Horti-Blaze)
<b>PSU Power Factor</b>	≥0.9	<b>IK Rating</b>	IK03
<b>Dimming Range</b>	0% - 100% (Each Channel)	<b>Cable Exit</b>	Both Ends
<b>Beam Distribution</b>	140°	<b>Finish</b>	Anodised Aluminium / PC
<b>Lifetime</b>	Q90 >54,000 hrs	<b>Warranty</b>	5 Year limited

Part No.	Product Code	Spectrum	Length (mm (ft))	PPF (μmol/s) <sup>1</sup>	Efficacy (μmol/J) <sup>2</sup>	Power (W)	Compatible PSU <sup>3</sup>	Units per PSU	No. Clips per Fitting
018637	VU-HORTI-BLAZE-BZT01-603MM-CCHV-IP66	BZT01	603 (2')	95	3.1	31	020574	1-18	2
018515	VU-HORTI-BLAZE-BZT01-1186MM-CCHV-IP66		1186 (4')	189		61		1-9	2
018638	VU-HORTI-BLAZE-BZT01-1769MM-CCHV-IP66		1769 (6')	284		92		1-6	3
018639	VU-HORTI-BLAZE-BZT01-2352MM-CCHV-IP66		2352 (8')	379		123		1-4	4

<sup>1</sup>Typical PPF +/-10%. All channels at 100%.

<sup>2</sup>Efficacy given when all channels at 100%. Actually efficacy achieved will vary with luminaire output spectrum set.

<sup>3</sup>Additional equipment is required for Horti-Blaze Tunable to function. See 'Horti-Blaze Tunable System Requirements'.

All values are may be subject to change without prior notice.



VERTICALLY  
URBAN

+44 (0)113 322 6459

hello@verticallyurban.com

verticallyurban.com

VERTICALLY URBAN | Typhoon House, Moxon Way, Leeds, West Yorkshire, LS25 6FB, United Kingdom

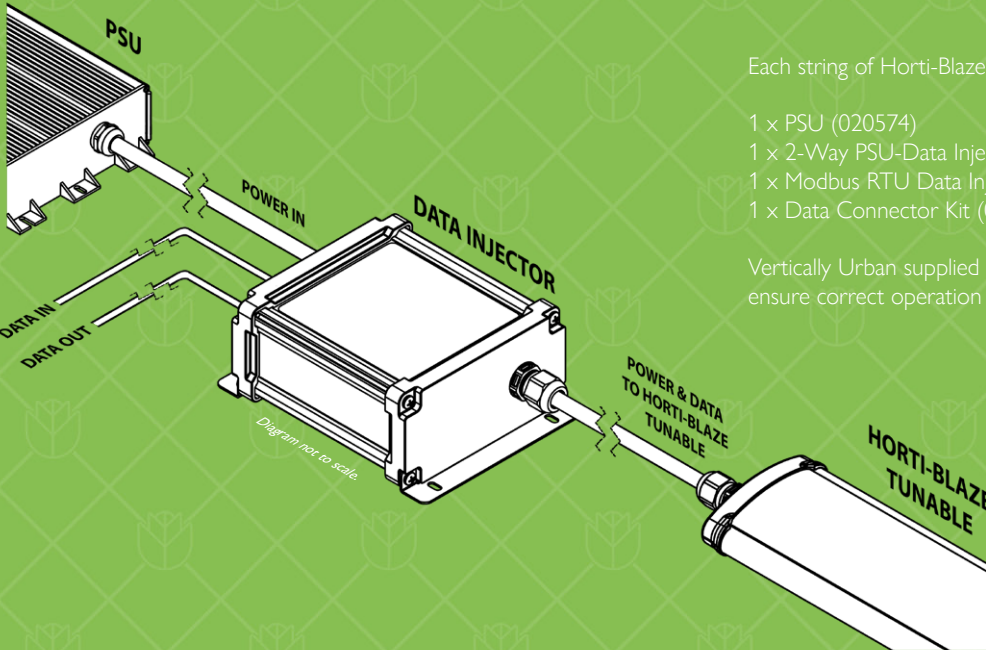
© 2024 Vertically Urban Limited. All rights reserved. Information provided is subject to change without prior notice.

VUP0315

# HORTI-BLAZE TUNABLE



## HORTI-BLAZE TUNABLE SYSTEM COMPONENTS



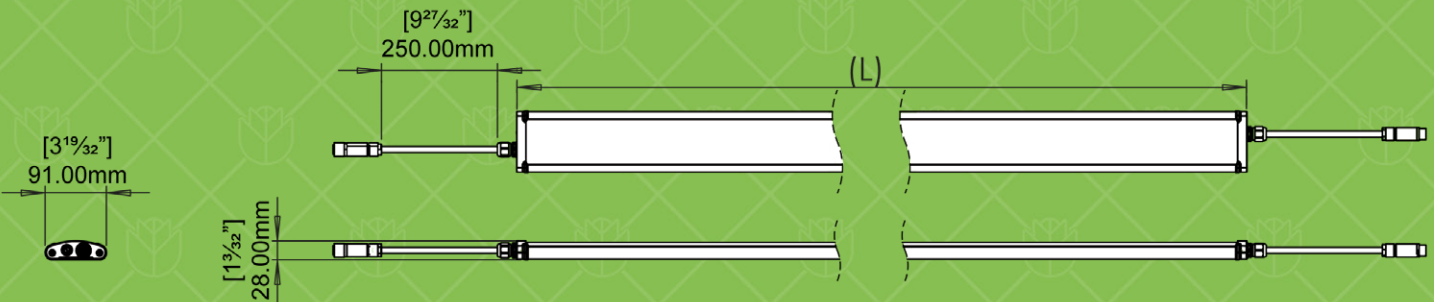
Each string of Horti-Blaze Tunable luminaires requires:

- 1 x PSU (020574)
- 1 x 2-Way PSU-Data Injector Link Cable (020575-7)
- 1 x Modbus RTU Data Injector (018513)
- 1 x Data Connector Kit (020589)

Vertically Urban supplied accessories **must** be used to ensure correct operation and maintain warranty.



## DIMENSIONS



<b>Length</b>	603mm / 2'	1186mm / 4'	1769mm / 6'	2352mm / 8'
<b>Weight</b>	0.8kg / 1.76lb	1.6kg / 3.52lb	2.4kg / 5.29lb	3.2kg / 7.05lb

## ACCESSORIES

Part No.	Description	Qty
018105	Horti-Blaze Mounting Clip	1
020575	1m 2-Way PSU-Data Injector Link Cable	1
020576	3m 2-Way PSU-Data Injector Link Cable	1
020577	5m 2-Way PSU-Data Injector Link Cable	1
018513	1m Modbus RTU Data Injector	1
020589	Data Connector Kit (3-Pole)	1
020574	600W PSU 48VDC	1

Vertically Urban run regular development cycles, continuously optimising and balancing product specifications to best suit our customers. All information therefore, is intended as a guide and specifications may change on occasion without notice or announcement. Technical data is measured under controlled conditions, expected performance is within +/- 10% of advertised figures. Information provided is intended as a description of the product and shall not be used in the form of any contract.







# VERTICALLY URBAN

LIGHTING THE FARMS OF THE FUTURE



## CONTACT DETAILS

### VERTICALLY URBAN

Typhoon House  
Moxon Way  
Leeds  
West Yorkshire  
LS25 6FB  
United Kingdom



[hello@verticallyurban.com](mailto:hello@verticallyurban.com)



+44(0)113 322 6459



[verticallyurban.com](http://verticallyurban.com)



© 2024 Vertically Urban Limited. All rights reserved.  
Information provided is subject to change without prior notice.